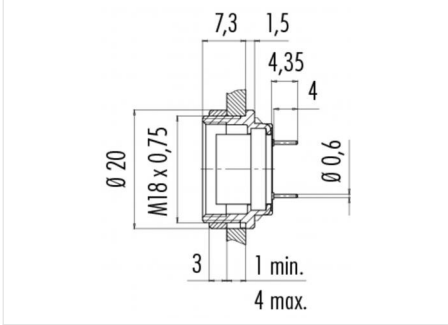


Product	<b>M16 IP40 female panel mount connector, Contacts: 19, Shielding is not possible, dip-solder, IP40</b>
Area	<b>M16 IP40 series 680</b>
Article number	<b>09 0336 90 19</b>

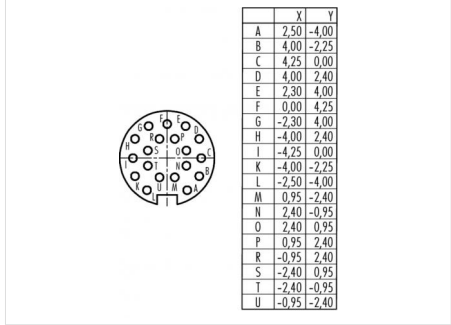
**Illustration**



**Ritning**



**Polbild**



You can find the assembly instruction on the next page.

**Technical data**

**General features**

Kontaktdesign	female panel mount connector
Kontaktionslåsning	screw
Anslutning	dip-solder
Övre gränstemperatur	85 °C
Lägre gränstemperatur	- 40 °C
Customs tariff number	85369010

**Electrical parameters**

Märkström (40°C)	3 A
Märkspänning	60 V
Märkstötspänning	500 V
Föroreningsgrad	1
Överspanningskategori	I
Isoleringsmaterialgrupp	III
Resistans	≤ 3 mΩ
Insulation resistance	≥ 10 <sup>10</sup> Ω
EMV-behörighet	Shielding is not possible
Kapslingsklass	IP40
Mekanisk livslängd	> 500 Mating cycles

**Material**

Kontaktmaterial	CuSn (bronze)
Kontaktplätering	Au (gold)
Kontaktkroppsmaterial	PBT (UL 94 V-0)
Kontaktthusmaterial	Zinc die-cast nickel-plated

Product **M16 IP40 female panel mount connector, Contacts: 19, Shielding is not possible, dip-solder, IP40**

Area **M16 IP40 series 680**  
Article number **09 0336 90 19**

Installationsinstruktioner / Monteringsutdrag



Product	<b>M16 IP40 female panel mount connector, Contacts: 19, Shielding is not possible, dip-solder, IP40</b>
Area	<b>M16 IP40 series 680</b>
Article number	<b>09 0336 90 19</b>

## Security notices

The connectors are designed for use in plant, control system and electrical equipment. The end user is responsible for checking whether the connectors are suitable for use in other applications.