

Product **M16 IP40 female panel mount connector, Contacts: 12, Shielding is not possible, dip-solder, IP40**

Area **M16 IP40 series 680**
 Article number **09 0332 90 12**

Illustration	Ritning	Polbild																																							
		<table border="1" style="margin-left: auto; margin-right: auto;"> <thead> <tr> <th></th> <th>X</th> <th>Y</th> </tr> </thead> <tbody> <tr><td>A</td><td>-0,44</td><td>-3,45</td></tr> <tr><td>B</td><td>2,29</td><td>-3,61</td></tr> <tr><td>C</td><td>4,10</td><td>-1,21</td></tr> <tr><td>D</td><td>3,20</td><td>1,34</td></tr> <tr><td>E</td><td>2,71</td><td>3,59</td></tr> <tr><td>F</td><td>0,41</td><td>3,45</td></tr> <tr><td>G</td><td>-2,29</td><td>3,61</td></tr> <tr><td>H</td><td>-4,10</td><td>1,21</td></tr> <tr><td>J</td><td>-3,20</td><td>-1,34</td></tr> <tr><td>K</td><td>-2,71</td><td>-3,59</td></tr> <tr><td>L</td><td>-2,00</td><td>-1,51</td></tr> <tr><td>M</td><td>-2,00</td><td>1,51</td></tr> </tbody> </table>		X	Y	A	-0,44	-3,45	B	2,29	-3,61	C	4,10	-1,21	D	3,20	1,34	E	2,71	3,59	F	0,41	3,45	G	-2,29	3,61	H	-4,10	1,21	J	-3,20	-1,34	K	-2,71	-3,59	L	-2,00	-1,51	M	-2,00	1,51
	X	Y																																							
A	-0,44	-3,45																																							
B	2,29	-3,61																																							
C	4,10	-1,21																																							
D	3,20	1,34																																							
E	2,71	3,59																																							
F	0,41	3,45																																							
G	-2,29	3,61																																							
H	-4,10	1,21																																							
J	-3,20	-1,34																																							
K	-2,71	-3,59																																							
L	-2,00	-1,51																																							
M	-2,00	1,51																																							

You can find the assembly instruction on the next page.

Technical data

General features

Kontaktdesign	female panel mount connector
Kontaktionslösning	screw
Anslutning	dip-solder
Övre gränstemperatur	85 °C
Lägre gränstemperatur	- 40 °C
Customs tariff number	85369010

Electrical parameters

Märkström (40°C)	3 A
Märkspänning	60 V
Märkstötspänning	500 V
Föroreningsgrad	1
Överspanningskategori	I
Isoleringsmaterialgrupp	III
Resistans	≤ 3 mΩ
Insulation resistance	≥ 10 ¹⁰ Ω
EMV-behörighet	Shielding is not possible
Kapslingsklass	IP40
Mekanisk livslängd	> 500 Mating cycles

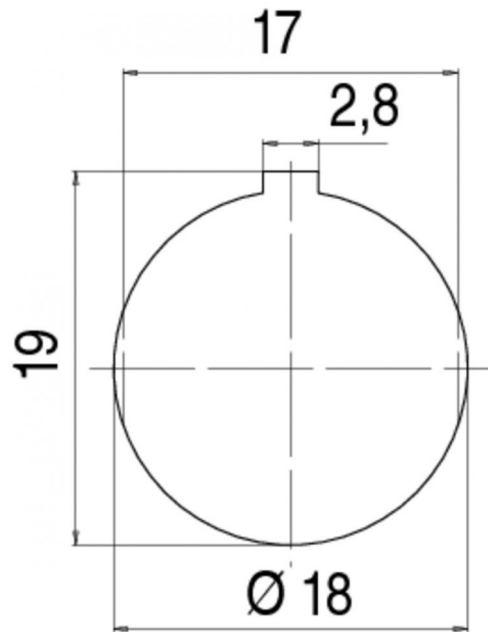
Material

Kontaktmaterial	CuSn (bronze)
Kontaktplätering	Au (gold)
Kontaktkroppsmaterial	PBT (UL 94 V-0)
Kontaktusmaterial	Zinc die-cast nickel-plated

Product **M16 IP40 female panel mount connector, Contacts: 12, Shielding is not possible, dip-solder, IP40**

Area **M16 IP40 series 680**
Article number **09 0332 90 12**

Installationsinstruktioner / Monteringsutdrag



Product	M16 IP40 female panel mount connector, Contacts: 12, Shielding is not possible, dip-solder, IP40
Area	M16 IP40 series 680
Article number	09 0332 90 12

Security notices

The connectors are designed for use in plant, control system and electrical equipment. The end user is responsible for checking whether the connectors are suitable for use in other applications.