

Product **M16 IP40 female panel mount connector, Contacts: 7, Shielding is not possible, dip-solder, IP40**

Area **M16 IP40 series 680**
 Article number **09 0328 90 07**

Illustration	Ritning	Polbild																								
		<table border="1" style="margin-left: auto; margin-right: auto;"> <thead> <tr> <th></th> <th>X</th> <th>Y</th> </tr> </thead> <tbody> <tr> <td>1</td> <td>1,75</td> <td>-3,03</td> </tr> <tr> <td>2</td> <td>3,50</td> <td>0,00</td> </tr> <tr> <td>3</td> <td>1,75</td> <td>3,03</td> </tr> <tr> <td>4</td> <td>-1,75</td> <td>3,03</td> </tr> <tr> <td>5</td> <td>-3,50</td> <td>0,00</td> </tr> <tr> <td>6</td> <td>-1,75</td> <td>-3,03</td> </tr> <tr> <td>7</td> <td>0,00</td> <td>0,00</td> </tr> </tbody> </table>		X	Y	1	1,75	-3,03	2	3,50	0,00	3	1,75	3,03	4	-1,75	3,03	5	-3,50	0,00	6	-1,75	-3,03	7	0,00	0,00
	X	Y																								
1	1,75	-3,03																								
2	3,50	0,00																								
3	1,75	3,03																								
4	-1,75	3,03																								
5	-3,50	0,00																								
6	-1,75	-3,03																								
7	0,00	0,00																								

You can find the assembly instruction on the next page.

Technical data

General features

Kontaktdesign	female panel mount connector
Kontaktionslåsning	screw
Anslutning	dip-solder
Övre gränstemperatur	85 °C
Lägre gränstemperatur	- 40 °C
Customs tariff number	85369010

Electrical parameters

Märkström (40°C)	5 A
Märkspänning	125 V
Märkstötspänning	800 V
Föroreningsgrad	1
Överspanningskategori	I
Isoleringsmaterialgrupp	III
Resistans	≤ 5 mΩ
Insulation resistance	≥ 10 ¹⁰ Ω
EMV-behörighet	Shielding is not possible
Kapslingsklass	IP40
Mekanisk livslängd	> 500 Mating cycles

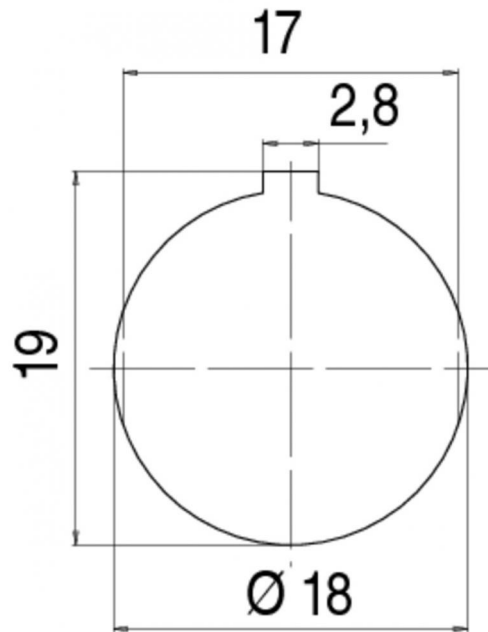
Material

Kontaktmaterial	CuSn (bronze)
Kontaktplätning	Ag (silver)
Kontaktkroppsmaterial	PBT (UL 94 V-0)
Kontaktusmaterial	Zinc die-cast nickel-plated

Product **M16 IP40 female panel mount connector, Contacts: 7, Shielding is not possible, dip-solder, IP40**

Area **M16 IP40 series 680**
Article number **09 0328 90 07**

Installationsinstruktioner / Monteringsutdrag



Product	M16 IP40 female panel mount connector, Contacts: 7, Shielding is not possible, dip-solder, IP40
Area	M16 IP40 series 680
Article number	09 0328 90 07

Security notices

The connector must not be connected or separated under load. Non-observance and incorrect use can result in personal injury.

The connectors are designed for use in plant, control system and electrical equipment. The end user is responsible for checking whether the connectors are suitable for use in other applications.

To prevent the connector being opened unintentionally when used in electrical circuits containing hazardous life parts, the thread between the housing and the connector head must be secured using a suitable cyanoacrylate adhesive. This does not apply to connectors used in SELV and PELV circuits according to IEC 61140 (EN 61140, VDE 0140-1).