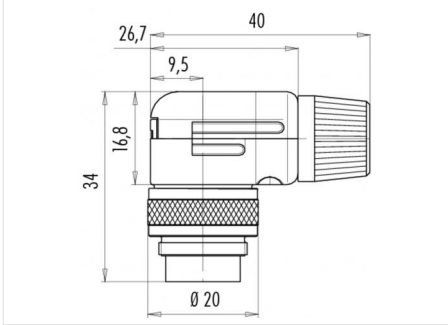


Product **M16 IP40 male angled connector, Contacts: 19, 6.0 - 8.0 mm, shieldable, solder, IP40**
 Area **M16 IP40 series 682**
 Article number **99 0163 12 19**

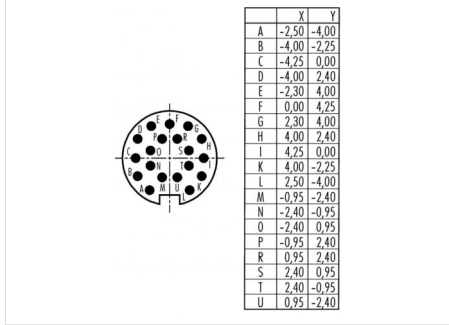
Illustration



Ritning



Polbild



You can find the item description on the next page.

Technical data

General features

Kontaktdesign male angled connector
 Kontaktdonslåsning screw
 Anslutning solder
 Tvärsnitt (mm) 0.25 mm²
 Tvärsnitt (AWG) 24
 Kabeluttag 6.0 - 8.0 mm
 Övre gränstemperatur 85 °C
 Lägre gränstemperatur -40 °C
 Customs tariff number 85369010

Electrical parameters

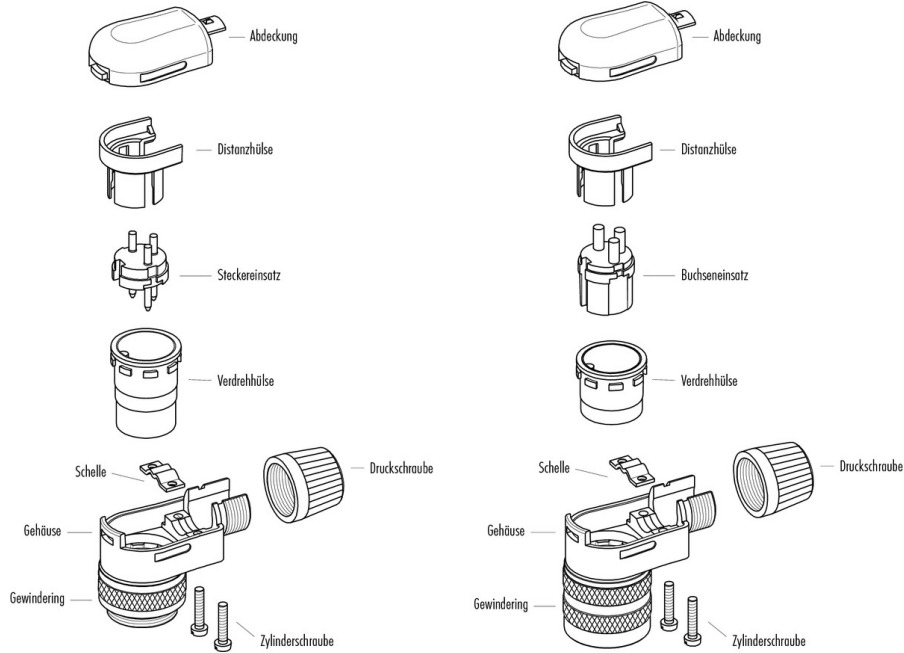
Märkström (40°C) 3 A
 Märkspänning 60 V
 Märksstötsspänning 500 V
 Föroreningsgrad 1
 Överspänningskategori I
 Isoleringsmaterialgrupp III
 Resistans ≤ 3 mΩ
 Insulation resistance ≥ 10¹⁰ Ω
 EMV-behörighet shieldable
 Kapslingsklass IP40
 Mekanisk livslängd > 500 Mating cycles

Material

Kontaktmaterial CuZn (brass)
 Kontaktplätering Au (gold)
 Kontaktkroppsmaterial PBT (UL 94 V-0)
 Kontakthusmaterial PA

Product **M16 IP40 male angled connector, Contacts: 19, 6.0 - 8.0 mm, shieldable, solder, IP40**
Area **M16 IP40 series 682**
Article number **99 0163 12 19**

Sprängskiss



Product	M16 IP40 male angled connector, Contacts: 19, 6.0 - 8.0 mm, shieldable, solder, IP40
Area	M16 IP40 series 682
Article number	99 0163 12 19

Security notices

The connectors are designed for use in plant, control system and electrical equipment. The end user is responsible for checking whether the connectors are suitable for use in other applications.

To lock the cable connector to the equipment connector, the threaded ring is tightened until it is 'finger-tight' (approx. 50 cNm).