

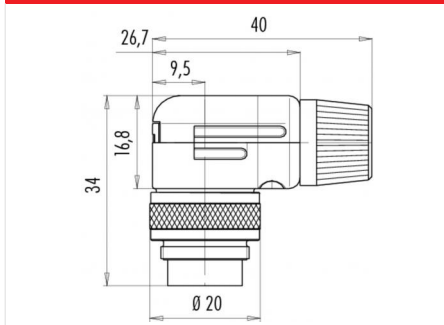
Product **M16 IP40 male angled connector, Contacts: 12, 6.0 - 8.0 mm, shieldable, solder, IP40**

Area **M16 IP40 series 682**
 Article number **99 0147 12 12**

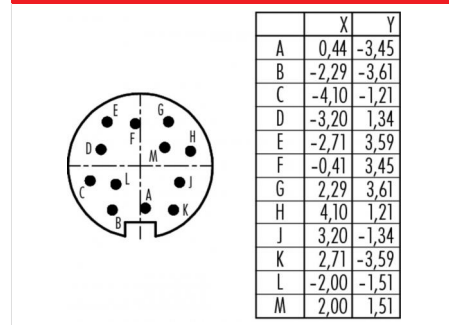
Illustration



Ritning



Polbild



You can find the item description on the next page.

Technical data

General features

Kontaktdesign	male angled connector
Kontaktionslåsning	screw
Anslutning	solder
Tvårsnitt (mm)	0.25 mm ²
Tvårsnitt (AWG)	24
Kabeluttag	6.0 - 8.0 mm
Övre gränstemperatur	85 °C
Lägre gränstemperatur	-40 °C
Customs tariff number	85369010

Electrical parameters

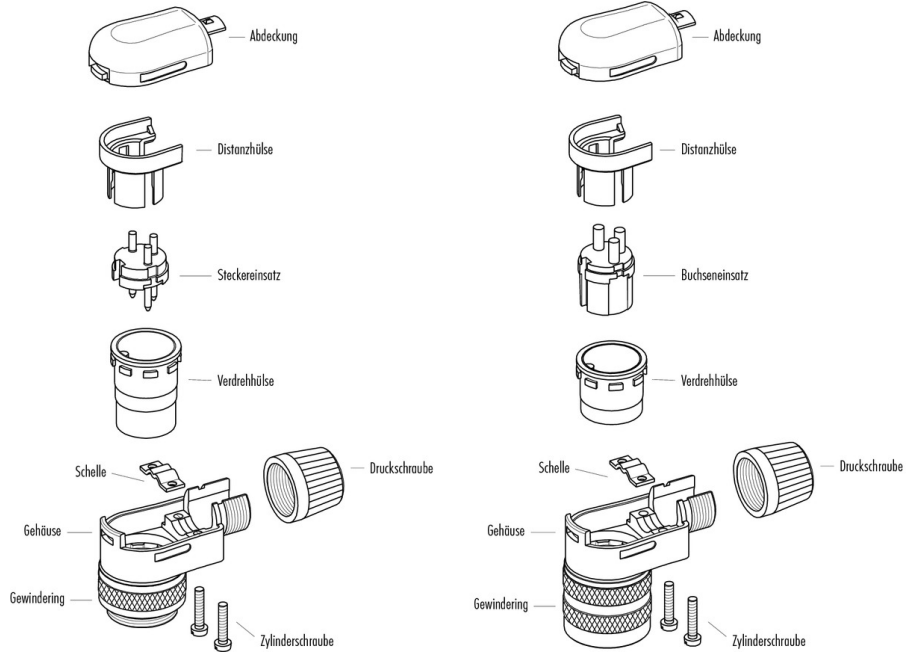
Märkström (40°C)	3 A
Märkspänning	60 V
Märkstötsspänning	500 V
Föroreningsgrad	1
Överspanningskategori	I
Isoleringsmaterialgrupp	III
Resistans	≤ 3 mΩ
Insulation resistance	≥ 10 ¹⁰ Ω
EMV-behörighet	shieldable
Kapslingsklass	IP40
Mekanisk livslängd	> 500 Mating cycles

Material

Kontaktmaterial	CuZn (brass)
Kontaktplätering	Au (gold)
Kontaktkroppsmaterial	PBT (UL 94 V-0)
Kontaktmaterial	PA

Product **M16 IP40 male angled connector, Contacts: 12, 6.0 - 8.0 mm, shieldable, solder, IP40**
Area **M16 IP40 series 682**
Article number **99 0147 12 12**

Sprängskiss



Product	M16 IP40 male angled connector, Contacts: 12, 6.0 - 8.0 mm, shieldable, solder, IP40
Area	M16 IP40 series 682
Article number	99 0147 12 12

Security notices

The connectors are designed for use in plant, control system and electrical equipment. The end user is responsible for checking whether the connectors are suitable for use in other applications.

To lock the cable connector to the equipment connector, the threaded ring is tightened until it is 'finger-tight' (approx. 50 cNm).