

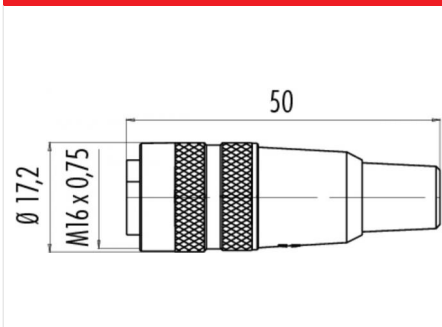
Product **M16 IP40 female cable connector, Contacts: 3 DIN, 6.0 - 8.0 mm, Shielding is not possible, solder, IP40**

Area **M16 IP40 series 680**
Article number **09 0306 92 03**

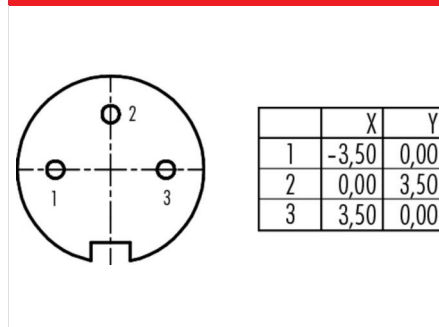
Illustration



Ritning



Polbild



Technical data

General features

Kontaktdesign	female cable connector
Kontaktdonslåsning	screw
Anslutning	solder
Tvårsnitt (mm)	0.75 mm ²
Tvårsnitt (AWG)	18
Kabeluttag	6.0 - 8.0 mm
Övre gränstemperatur	85 °C
Lägre gränstemperatur	- 40 °C
Customs tariff number	85369010

Electrical parameters

Märkström (40°C)	7 A
Märkspänning	250 V
Märkstötspänning	1500 V
Föreningegrad	1
Överspänningskategori	I
Isoleringsmaterialgrupp	III
Resistans	≤ 3 mΩ
Insulation resistance	≥ 10 ¹⁰ Ω
EMV-behörighet	Shielding is not possible
Kapslingsklass	IP40
Mekanisk livslängd	> 500 Mating cycles

Material

Kontaktmaterial	CuSn (bronze)
Kontaktplätering	Au (gold)
Kontaktkroppsmaterial	PBT (UL 94 V-0)
Kontaktusmaterial	PA

Product	M16 IP40 female cable connector, Contacts: 3 DIN, 6.0 - 8.0 mm, Shielding is not possible, solder, IP40
Area	M16 IP40 series 680
Article number	09 0306 92 03

Security notices

The connector must not be connected or separated under load. Non-observance and incorrect use can result in personal injury.

The connectors are designed for use in plant, control system and electrical equipment. The end user is responsible for checking whether the connectors are suitable for use in other applications.

Connectors used in electrical circuits containing hazardous life parts must only be assembled and used by or under the supervision of persons with the requisite electrotechnical training, taking the applicable regulations and standards into account.

The connector is not suitable for mains voltages. Please observe the pollution degrees and the overvoltage category. For further information refer to 'Technical support' in the Download Centre.

To lock the cable connector to the equipment connector, the threaded ring is tightened until it is 'finger-tight' (approx. 50 cNm).