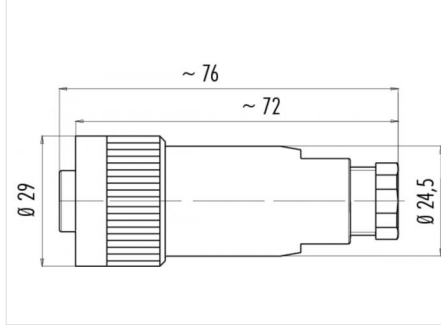


Product **RD24 female cable connector, Contacts: 6+PE, 6.0 - 9.5 mm, Shielding is not possible, solder, IP67, UL, ESTI+, VDE, PG9**
 Area **RD24 series 693**
 Article number **99 4226 00 07**

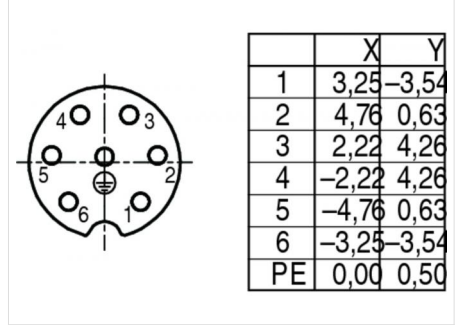
Illustration



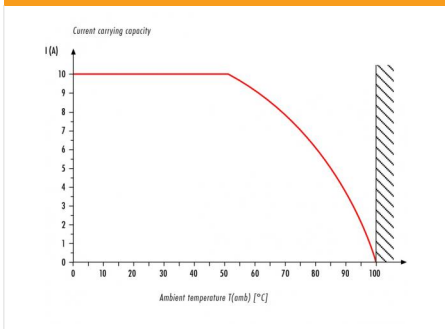
Ritning



Polbild



Derating curve



You can find the item description and assembly instruction on the next page.

Technical data

General features

Kontaktdesign	female cable connector
Kontaktionslösning	screw
Anslutning	solder
Tvårsnitt (mm)	max. 0.75 mm ²
Tvårsnitt (AWG)	max. 19
Kabeluttag	6.0 - 9.5 mm
Övre gränstemperatur	100 °C
Lägre gränstemperatur	- 40 °C
Customs tariff number	85369010

Cable data

Godkännande 1	UL
Godkännande 2	ESTI+
Godkännande 3	VDE

Electrical parameters

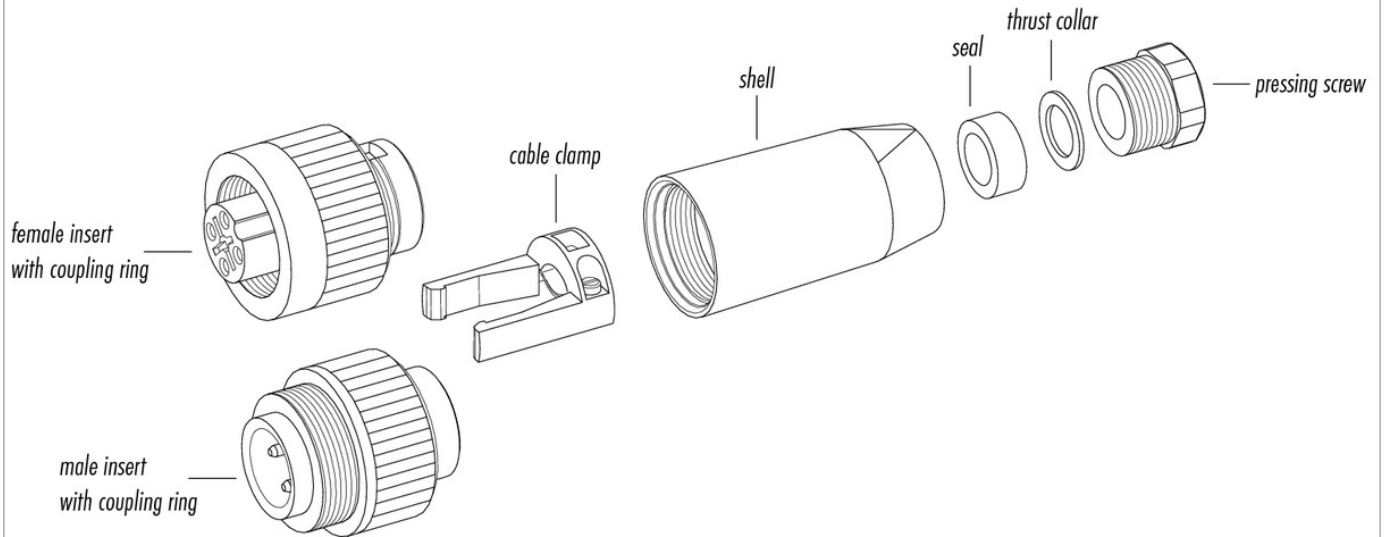
Märkström (40°C)	10 A (8 A UL)
Märkspänning	250 V
Märkstötspänning	4000 V
Föroreningsgrad	3
Överspanningskategori	III
Isoleringsmaterialgrupp	III
Resistans	≤ 5 mΩ
Insulation resistance	≥ 10 ¹⁰ Ω
EMV-behörighet	Shielding is not possible
Kapslingsklass	IP67
	IP65 with cable diameter 6-7 mm
Kapslingsklass 2	IP65 with cable diameter 6-7 mm
Mekanisk livslängd	> 500 Mating cycles

Material

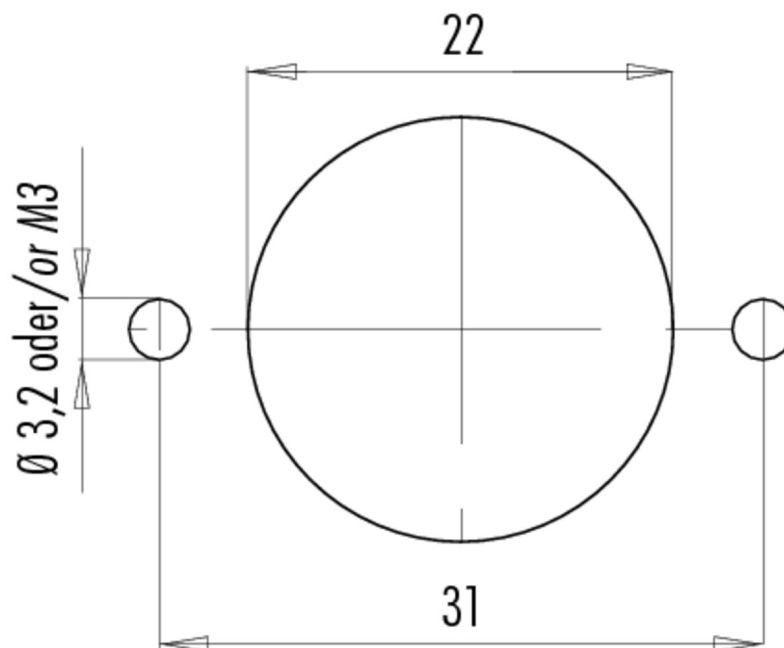
Kontaktmaterial	CuSn (bronze)
Kontaktplätering	Ag (silver)
Kontaktkroppsmaterial	PBT (UL 94 V-0)

Product	RD24 female cable connector, Contacts: 6+PE, 6.0 - 9.5 mm, Shielding is not possible, solder, IP67, UL, ESTI+, VDE, PG9
Area	RD24 series 693
Article number	99 4226 00 07

Sprängskiss



Installationsinstruktioner / Monteringsutdrag



Product	RD24 female cable connector, Contacts: 6+PE, 6.0 - 9.5 mm, Shielding is not possible, solder, IP67, UL, ESTI+, VDE, PG9
Area	RD24 series 693
Article number	99 4226 00 07

Security notices

The connector must not be connected or separated under load. Non-observance and incorrect use can result in personal injury.

The connectors are designed for use in plant, control system and electrical equipment. The end user is responsible for checking whether the connectors are suitable for use in other applications.

To prevent the connector being opened unintentionally when used in electrical circuits containing hazardous life parts, the thread between the housing and the connector head must be secured using a suitable cyanoacrylate adhesive. This does not apply to connectors used in SELV and PELV circuits according to IEC 61140 (EN 61140, VDE 0140-1).

Connectors used in electrical circuits containing hazardous life parts must only be assembled and used by or under the supervision of persons with the requisite electrotechnical training, taking the applicable regulations and standards into account.

Connectors with degree of protection IP 67 and IP 68 are not suitable for use under water. When used outdoors, the connectors must be separately protected against corrosion. For further information about IP degrees of protection refer to 'Technical support' in the Download Centre.

To lock the cable connector to the equipment connector, the threaded ring is tightened until it is 'finger-tight' (approx. 50 cNm).