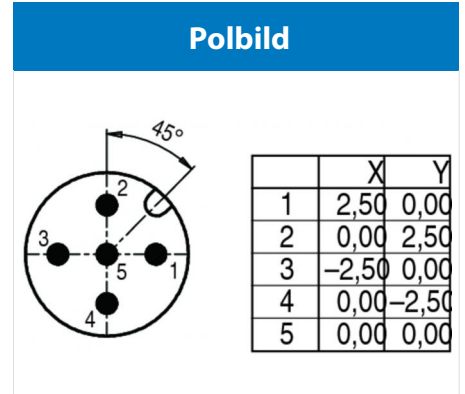
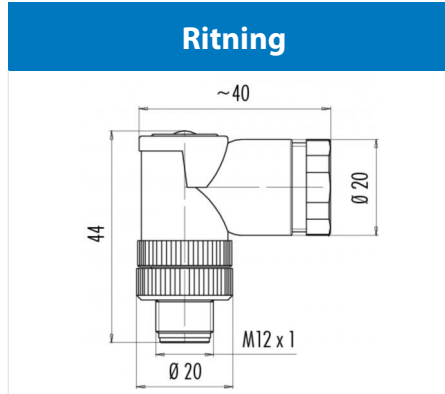


Product **M12-A male angled connector, Contacts: 5, 2 x 2: 1.0 - 3.0 mm / Ø 4.0 - 5.0 mm, not shielded, screw clamp, IP67, UL**
 Area **M12-A series 713**
 Article number **99 0437 162 05**



You can find the item description and assembly instruction on the next page.

Technical data

General features

Kontaktdesign male angled connector
 Kontaktdonslösning screw
 Anslutning screw clamp
 Tvärsnitt (mm) 0.75 mm²
 Tvärsnitt (AWG) 18
 Kabeluttag 2 x 2: 1.0 - 3.0 mm / Ø 4.0 - 5.0 mm
 Övre gränstemperatur 85 °C
 Lägre gränstemperatur -40 °C
 Customs tariff number 85369010

Cable data

Godkännande 1 UL

Electrical parameters

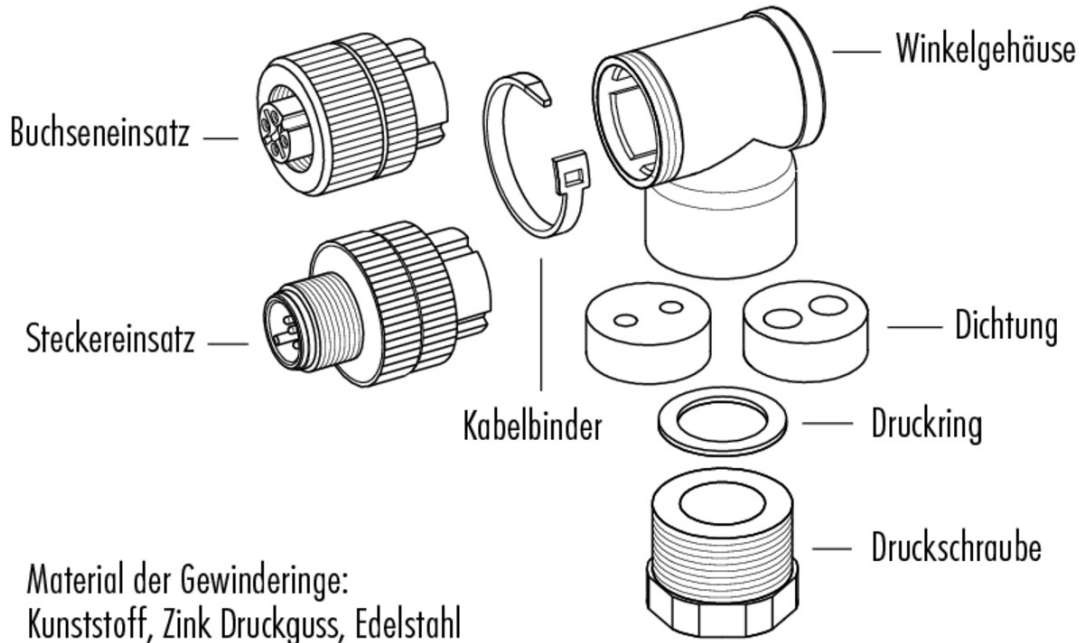
Märkström (40°C) 4 A (3 A UL)
 Märkspänning 60 V
 Märkstötspänning 1500 V
 Föroreningsgrad 3
 Överspänningskategori II
 Isoleringsmaterialgrupp III
 Resistans ≤ 8 mΩ
 Insulation resistance > 10⁸ Ω
 EMV-behörighet not shielded
 Kapslingsklass IP67
 Mekanisk livslängd > 50 Mating cycles

Material

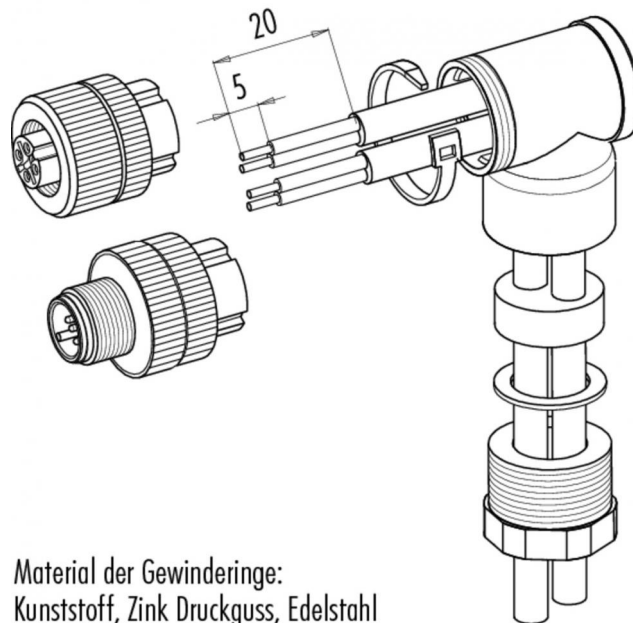
Kontaktmaterial CuZn (brass)
 Kontaktplätering CuSnZn (Optalloy)
 Kontaktkroppsmaterial PA
 Kontakthusmaterial PA

Product **M12-A male angled connector, Contacts: 5, 2 x 2: 1.0 - 3.0 mm / Ø 4.0 - 5.0 mm, not shielded, screw clamp, IP67, UL**
 Area **M12-A series 713**
 Article number **99 0437 162 05**

Sprängskiss



Installationsinstruktioner / Monteringsutdrag



Product	M12-A male angled connector, Contacts: 5, 2 x 2: 1.0 - 3.0 mm / Ø 4.0 - 5.0 mm, not shielded, screw clamp, IP67, UL
Area	M12-A series 713
Article number	99 0437 162 05

Security notices

The connectors are designed for use in plant, control system and electrical equipment. The end user is responsible for checking whether the connectors are suitable for use in other applications.

Connectors with degree of protection IP 67 and IP 68 are not suitable for use under water. When used outdoors, the connectors must be separately protected against corrosion. For further information about IP degrees of protection refer to 'Technical support' in the Download Centre.

To lock the cable connector to the equipment connector, the threaded ring is tightened until it is 'finger-tight' (approx. 50 cNm).