

Product **RD24 male angled connector, Contacts: 6+PE, 10.0 - 12.0 mm, Shielding is not possible, crimp (Crimp contacts must be ordered separately), IP67, PG13.5**

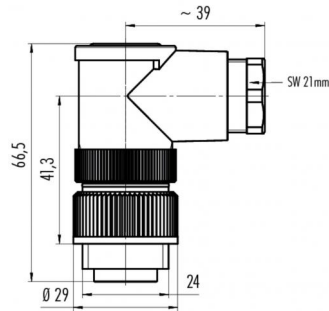
Area **RD24 series 692**

Article number **99 0201 215 07**

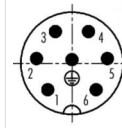
Illustration



Ritning



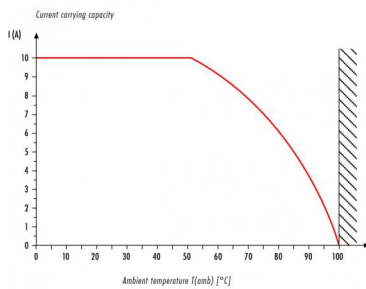
Polbild



	X	Y
1	-3,25	-3,54
2	-4,76	0,63
3	-2,22	4,26
4	2,22	4,26
5	4,76	0,63
6	3,25	-3,54
PE	0,00	0,50

1
2
3
4
5
6
⊕ green/yellow

Derating curve



You can find the item description and assembly instruction on the next page.

Technical data

General features

Kontaktdesign male angled connector
 Kontaktdonslösning screw
 Anslutning crimp (Crimp contacts must be ordered separately)
 Tvärsnitt (mm) see crimp contacts under accessories
 Kabelutttag 10.0 - 12.0 mm
 Övre gränstemperatur 100 °C
 Lägre gränstemperatur - 40 °C
 Customs tariff number 85369010

Electrical parameters

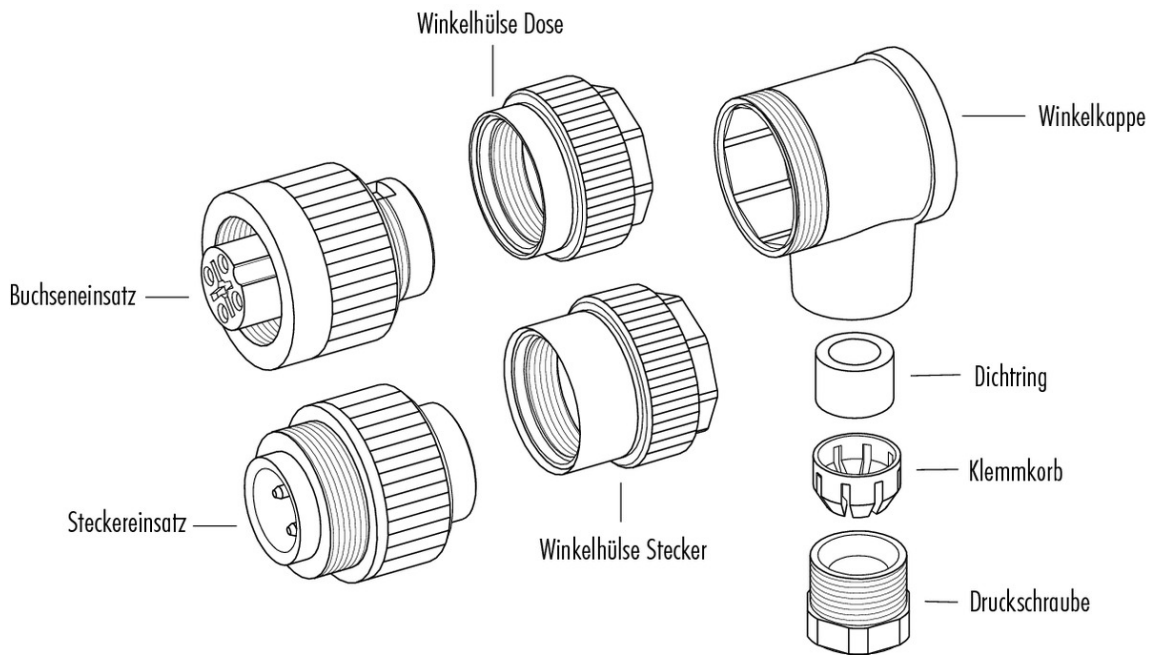
Märkström (40°C) 10 A
 Märkspänning 250 V
 Märkstötspänning 4000 V
 Föreningegrad 3
 Överspänningskategori III
 Isolermaterialgrupp III
 Resistans ≤ 5 mΩ
 Insulation resistance ≥ 10¹⁰ Ω
 EMV-behörighet Shielding is not possible
 Kapslingsklass IP67
 Mekanisk livslängd > 500 Mating cycles

Material

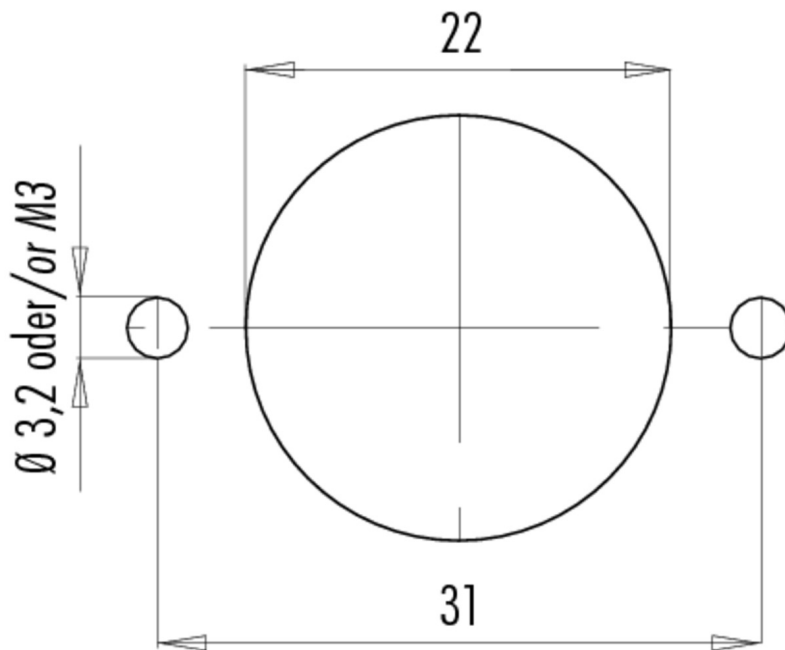
Kontaktmaterial depending on crimp contact (accessory)
 Kontaktkroppsmaterial PBT (UL 94 V-0)

Product	RD24 male angled connector, Contacts: 6+PE, 10.0 - 12.0 mm, Shielding is not possible, crimp (Crimp contacts must be ordered separately), IP67, PG13.5
Area	RD24 series 692
Article number	99 0201 215 07

Sprängskiss



Installationsinstruktioner / Monteringsutdrag



Product	RD24 male angled connector, Contacts: 6+PE, 10.0 - 12.0 mm, Shielding is not possible, crimp (Crimp contacts must be ordered separately), IP67, PG13.5
Area	RD24 series 692
Article number	99 0201 215 07

Security notices

The connector must not be connected or separated under load. Non-observance and incorrect use can result in personal injury.

The connectors are designed for use in plant, control system and electrical equipment. The end user is responsible for checking whether the connectors are suitable for use in other applications.

To prevent the connector being opened unintentionally when used in electrical circuits containing hazardous life parts, the thread between the housing and the connector head must be secured using a suitable cyanoacrylate adhesive. This does not apply to connectors used in SELV and PELV circuits according to IEC 61140 (EN 61140, VDE 0140-1).

Connectors used in electrical circuits containing hazardous life parts must only be assembled and used by or under the supervision of persons with the requisite electrotechnical training, taking the applicable regulations and standards into account.

Connectors with degree of protection IP 67 and IP 68 are not suitable for use under water. When used outdoors, the connectors must be separately protected against corrosion. For further information about IP degrees of protection refer to 'Technical support' in the Download Centre.

To lock the cable connector to the equipment connector, the threaded ring is tightened until it is 'finger-tight' (approx. 50 cNm).