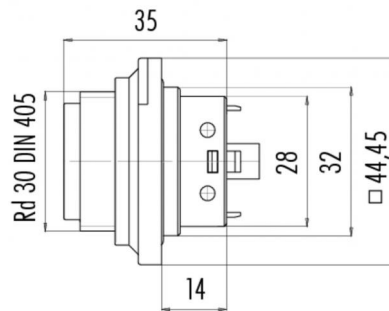


Product **RD30 male panel mount connector, Contacts: 12+PE, Shielding is not possible, solder, IP65**
 Area **RD30 series 694**
 Article number **99 0719 00 13**

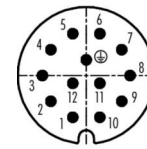
Illustration



Ritning



Polbild



	X	Y
1	-2,38	-7,33
2	-6,23	-4,53
3	-7,70	0,00
4	-6,23	4,53
5	-2,38	7,33
6	2,38	7,33
7	6,23	4,53
8	7,70	0,00
9	6,23	-4,53
10	2,38	-7,33
11	2,38	-1,37
12	-2,38	-1,37
⊕	0,00	2,74

You can find the assembly instruction on the next page.

Technical data

General features

Kontaktdesign	male panel mount connector
Kontaktionslåsning	screw
Anslutning	solder
Tvärsnitt (mm)	1.00 mm ²
Tvärsnitt (AWG)	17
Övre gränstemperatur	100 °C
Lägre gränstemperatur	- 40 °C
Customs tariff number	85369010

Electrical parameters

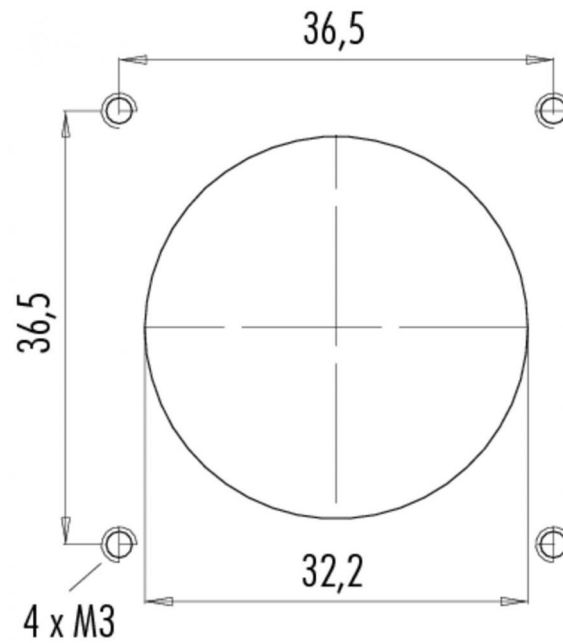
Märkström (40°C)	6 A
Märkspänning	250 V
Märkstötspänning	4000 V
Föroreningsgrad	3
Överspänningskategori	III
Isoleringsmaterialgrupp	III
Resistans	≤ 3 mΩ
Insulation resistance	≥ 10 ¹⁰ Ω
EMV-behörighet	Shielding is not possible
Kapslingsklass	IP65
Mekanisk livslängd	> 500 Mating cycles

Material

Kontaktmaterial	CuZn (brass)
Kontaktplätering	Ag (silver)
Kontaktkroppsmaterial	PA (UL 94 HB)
Kontakthusmaterial	PA

Product	RD30 male panel mount connector, Contacts: 12+PE, Shielding is not possible, solder, IP65
Area	RD30 series 694
Article number	99 0719 00 13

Installationsinstruktioner / Monteringsutdrag



Product	RD30 male panel mount connector, Contacts: 12+PE, Shielding is not possible, solder, IP65
Area	RD30 series 694
Article number	99 0719 00 13

Security notices

The connector must not be connected or separated under load. Non-observance and incorrect use can result in personal injury.

The connectors are designed for use in plant, control system and electrical equipment. The end user is responsible for checking whether the connectors are suitable for use in other applications.

Connectors with degree of protection IP 67 and IP 68 are not suitable for use under water. When used outdoors, the connectors must be separately protected against corrosion. For further information about IP degrees of protection refer to 'Technical support' in the Download Centre.