

Product **M12-A cable connector, Contacts: 8, 6.0 - 8.0 mm, not shielded, screw clamp, IP67**
 Area **M12-A series 713**
 Article number **99 0487 12 08**

Illustration	Ritning	Polbild																											
		<table border="1" style="margin-left: auto; margin-right: auto;"> <thead> <tr> <th></th> <th>X</th> <th>Y</th> </tr> </thead> <tbody> <tr><td>1</td><td>2,69</td><td>0,57</td></tr> <tr><td>2</td><td>0,57</td><td>2,69</td></tr> <tr><td>3</td><td>-1,66</td><td>2,20</td></tr> <tr><td>4</td><td>-2,75</td><td>0,19</td></tr> <tr><td>5</td><td>-1,94</td><td>-1,94</td></tr> <tr><td>6</td><td>0,19</td><td>-2,74</td></tr> <tr><td>7</td><td>2,20</td><td>-1,65</td></tr> <tr><td>8</td><td>0,00</td><td>0,00</td></tr> </tbody> </table>		X	Y	1	2,69	0,57	2	0,57	2,69	3	-1,66	2,20	4	-2,75	0,19	5	-1,94	-1,94	6	0,19	-2,74	7	2,20	-1,65	8	0,00	0,00
	X	Y																											
1	2,69	0,57																											
2	0,57	2,69																											
3	-1,66	2,20																											
4	-2,75	0,19																											
5	-1,94	-1,94																											
6	0,19	-2,74																											
7	2,20	-1,65																											
8	0,00	0,00																											

You can find the item description and assembly instruction on the next page.

Technical data

General features

Kontaktdesign	cable connector
Kontaktionslösning	screw
Anslutning	screw clamp
Tvärsnitt (mm)	0.50 mm ²
Tvärsnitt (AWG)	20
Kabeluttag	6.0 - 8.0 mm
Övre gränstemperatur	85 °C
Lägre gränstemperatur	-40 °C
Customs tariff number	85369010

Electrical parameters

Märkström (40°C)	1,5 A (2 A UL)
Märkspänning	30 V
Märkstötspänning	800 V
Föreoreningsgrad	3
Överspänningskategori	II
Isoleringsmaterialgrupp	III
Resistans	≤ 3 mΩ
Insulation resistance	> 10 ⁸ Ω
EMV-behörighet	not shielded
Kapslingsklass	IP67
Mekanisk livslängd	> 100 Mating cycles

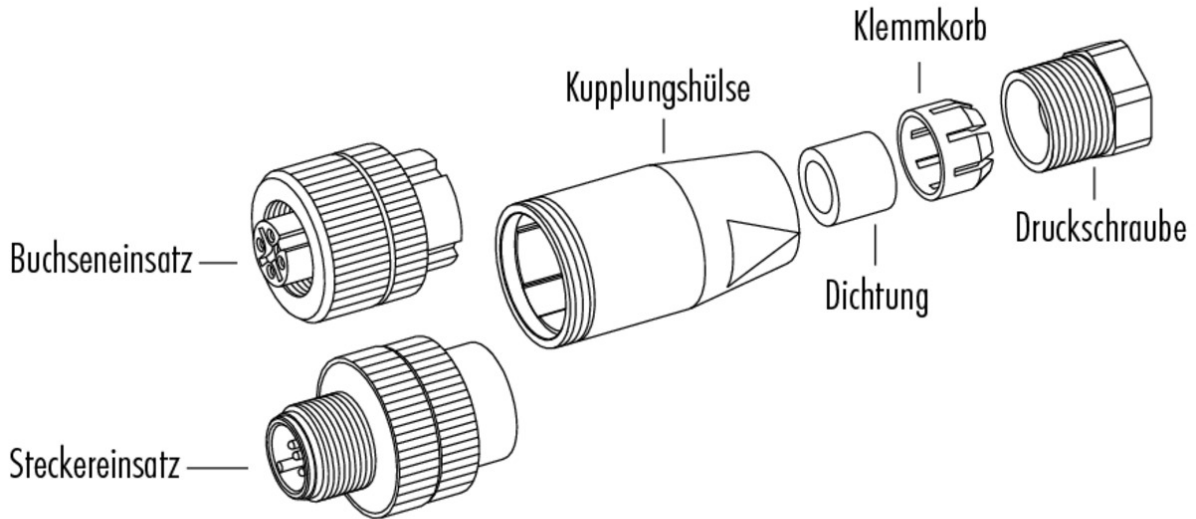
Material

Kontaktmaterial	CuZn (brass)
Kontaktplätering	Au (gold)
Kontaktroppsmaterial	PA
Kontaktthusmaterial	PA

Product **M12-A cable connector, Contacts: 8, 6.0 - 8.0 mm, not shielded, screw clamp, IP67**

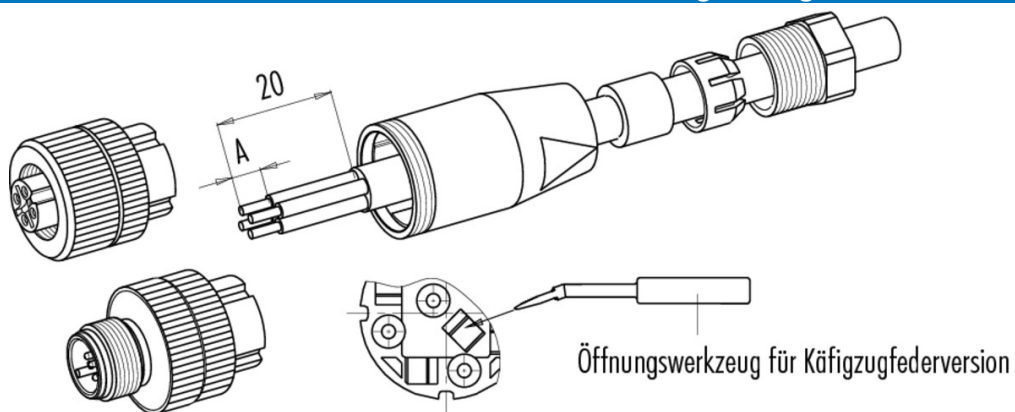
Area **M12-A series 713**
 Article number **99 0487 12 08**

Sprängskiss



Material der Gewinderinge: Kunststoff, Zink Druckguss, Edelstahl

Installationsinstruktioner / Monteringsutdrag



	Schraubklemmversion	Lötversion	Käfigzugfederversion
Maß A/mm	5	3,5	7

Material der Gewinderinge: Kunststoff, Zink Druckguss, Edelstahl

Product	M12-A cable connector, Contacts: 8, 6.0 - 8.0 mm, not shielded, screw clamp, IP67
Area	M12-A series 713
Article number	99 0487 12 08

Security notices

The connectors are designed for use in plant, control system and electrical equipment. The end user is responsible for checking whether the connectors are suitable for use in other applications.

Connectors with degree of protection IP 67 and IP 68 are not suitable for use under water. When used outdoors, the connectors must be separately protected against corrosion. For further information about IP degrees of protection refer to 'Technical support' in the Download Centre.

To lock the cable connector to the equipment connector, the threaded ring is tightened until it is 'finger-tight' (approx. 50 cNm).