

Product **M8 female panel mount connector, Contacts: 6, not shielded, single wires, IP67**  
 Area **M8 series 718**  
 Article number **76 6618 1111 00006-0200**

Illustration	Ritning	Polbild																					
		<table border="1" style="margin: 10px;"> <thead> <tr> <th></th> <th>X</th> <th>Y</th> </tr> </thead> <tbody> <tr> <td>1</td> <td>1,37</td> <td>-1,32</td> </tr> <tr> <td>2</td> <td>-1,37</td> <td>-1,32</td> </tr> <tr> <td>3</td> <td>-1,75</td> <td>0,74</td> </tr> <tr> <td>4</td> <td>0</td> <td>1,90</td> </tr> <tr> <td>5</td> <td>1,75</td> <td>0,74</td> </tr> <tr> <td>6</td> <td>0</td> <td>0</td> </tr> </tbody> </table> <ul style="list-style-type: none"> <li>1 brown</li> <li>2 white</li> <li>3 blue</li> <li>4 black</li> <li>5 grey</li> <li>6 pink</li> </ul>		X	Y	1	1,37	-1,32	2	-1,37	-1,32	3	-1,75	0,74	4	0	1,90	5	1,75	0,74	6	0	0
	X	Y																					
1	1,37	-1,32																					
2	-1,37	-1,32																					
3	-1,75	0,74																					
4	0	1,90																					
5	1,75	0,74																					
6	0	0																					

You can find the assembly instruction on the next page.

## Technical data

### General features

**Hänvisning**  
 Please note that, due to the change from the old to the new order number, there may be deviations in the technical specifications. For questions about product details, please use the 'Contact Customer Service' form on the right.

**Kontaktdesign**  
 Kontaktdonslåsning  
 Anslutning  
 Tvärsnitt (mm)  
 Tvärsnitt (AWG)  
 Övre gränstemperatur  
 Lägre gränstemperatur  
 Customs tariff number

female panel mount connector  
 screw  
 single wires  
 0.14 mm<sup>2</sup>  
 26  
 85 °C  
 - 40 °C  
 85369010

### Electrical parameters

Märkström (40°C)  
 Märkspänning  
 Märksstötspänning  
 Föroreningsgrad  
 Överspänningskategori  
 Isolermaterialgrupp  
 Resistans  
 EMV-behörighet  
 Kapslingsklass  
 Mekanisk livslängd

1,5 A  
 30 V  
 800 V  
 3  
 II  
 II  
 ≤ 3 mΩ  
 not shielded  
 IP67  
 > 100 Mating cycles

### Material

Kontaktmaterial  
 Kontaktplättering  
 Kontaktkroppsmaterial  
 Kontakthusmaterial

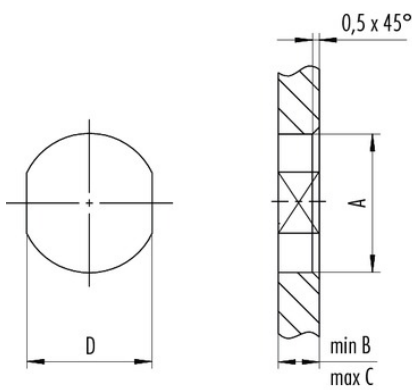
CuSn (bronze)  
 Au (gold)  
 PA  
 Zinc die-cast nickel-plated

Product **M8 female panel mount connector, Contacts: 6, not shielded, single wires, IP67**  
 Area **M8 series 718**  
 Article number **76 6618 1111 00006-0200**

Installationsinstruktioner / Monteringsutdrag

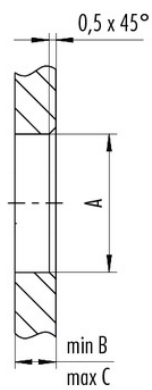
1. Einbauvorschlag

Mit Fläche als Verdrehschutz



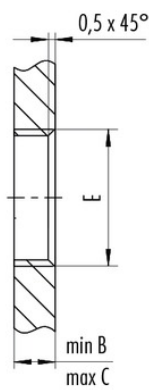
2. Einbauvorschlag

Mit Durchgangsbohrung



3. Einbauvorschlag

Mit Gewinde, einschraubbar



Gewinde E	A	B	C	D
M8 x 1	8,1	2,0	3,5	7,1
M10 x 0,75	10,1	2,0	6,5	9,1
M12 x 1	12,1	2,5	4,5	10,0

Anzugsdrehmoment 1 Nm

Product	<b>M8 female panel mount connector, Contacts: 6, not shielded, single wires, IP67</b>
Area	<b>M8 series 718</b>
Article number	<b>76 6618 1111 00006-0200</b>

## Security notices

The connectors are designed for use in plant, control system and electrical equipment. The end user is responsible for checking whether the connectors are suitable for use in other applications. Connectors with degree of protection IP 67 and IP 68 are not suitable for use under water. When used outdoors, the connectors must be separately protected against corrosion. For further information about IP degrees of protection refer to 'Technical support' in the Download Centre.