

Product **Snap-In IP67 male panel mount connector, Contacts: 3, Shielding is not possible, solder, IP67**
 Area **Snap-In IP67 series 620**
 Article number **99 9207 060 03**

Illustration	Ritning	Polbild												
		<table border="1" style="margin-left: 20px;"> <thead> <tr> <th></th> <th>X</th> <th>Y</th> </tr> </thead> <tbody> <tr> <td>1</td> <td>1,82</td> <td>-1,05</td> </tr> <tr> <td>2</td> <td>0,00</td> <td>2,10</td> </tr> <tr> <td>3</td> <td>-1,82</td> <td>-1,05</td> </tr> </tbody> </table>		X	Y	1	1,82	-1,05	2	0,00	2,10	3	-1,82	-1,05
	X	Y												
1	1,82	-1,05												
2	0,00	2,10												
3	-1,82	-1,05												

You can find the item description and assembly instruction on the next page.

Technical data

General features

Kontaktdesign	male panel mount connector
Kontaktionslåsning	snap
Anslutning	solder
Tvärsnitt (mm)	0.25 mm ²
Tvärsnitt (AWG)	24
Övre gränstemperatur	85 °C
Lägre gränstemperatur	- 25 °C
Customs tariff number	85369010

Electrical parameters

Märkström (40°C)	3 A
Märkspänning	125 V
Märkstötspänning	1500 V
Föreningegrad	2
Överspänningskategori	II
Isoleringsmaterialgrupp	II
Resistans	≤ 3 mΩ
Insulation resistance	≥ 10 ¹⁰ Ω
EMV-behörighet	Shielding is not possible
Kapslingsklass	IP67
Mekanisk livslängd	> 500 Mating cycles

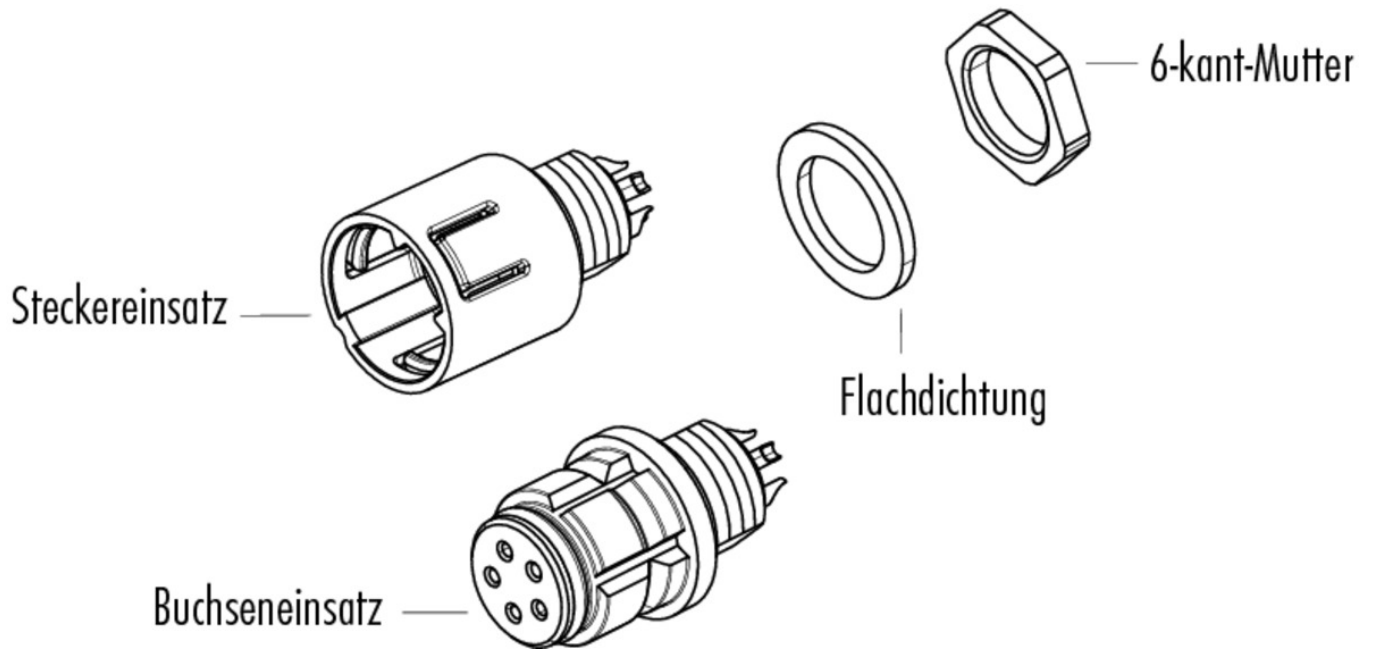
Material

Kontaktmaterial	CuZn (brass)
Kontaktplätning	Au (gold)
Kontaktkroppsmaterial	PA (UL 94 V-0)
Kontakthusmaterial	PA

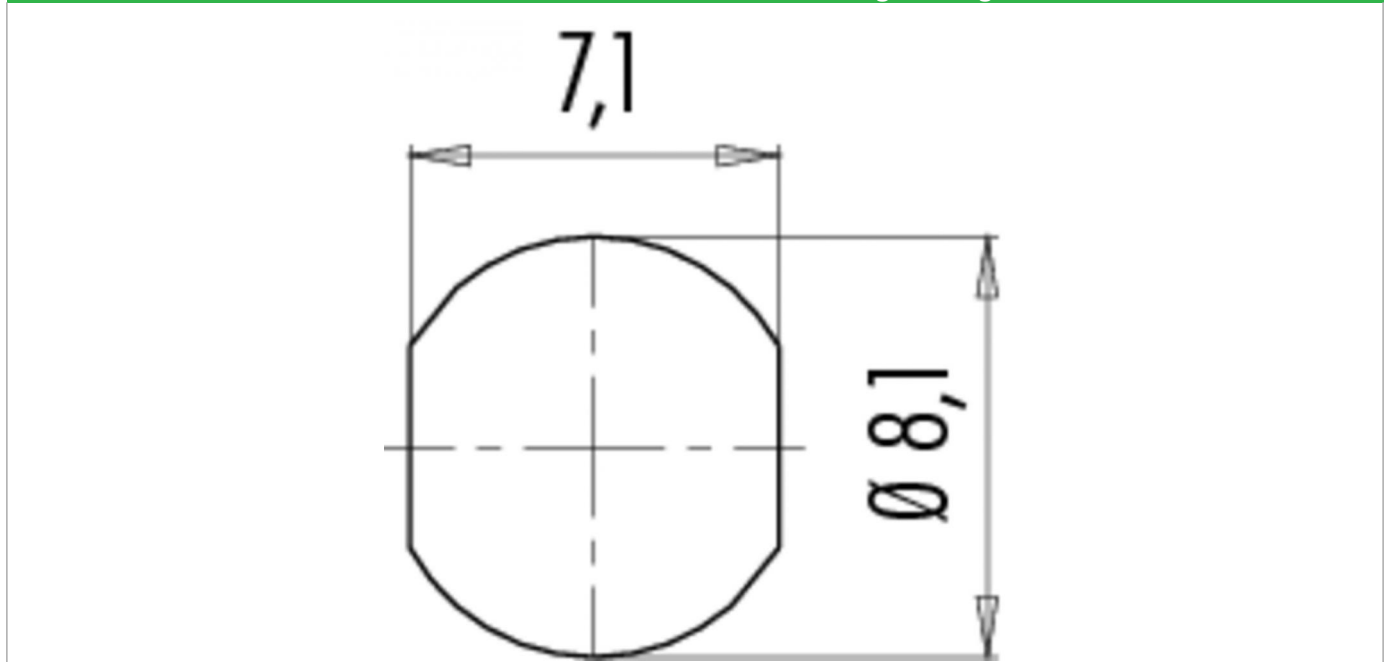
Product Snap-In IP67 male panel mount connector, Contacts: 3, Shielding is not possible, solder, IP67

Area Snap-In IP67 series 620
Article number 99 9207 060 03

Sprängskiss



Installationsinstruktioner / Monteringsutdrag



Product	Snap-In IP67 male panel mount connector, Contacts: 3, Shielding is not possible, solder, IP67
Area	Snap-In IP67 series 620
Article number	99 9207 060 03

Security notices

The connector must not be connected or separated under load. Non-observance and incorrect use can result in personal injury.

The connectors are designed for use in plant, control system and electrical equipment. The end user is responsible for checking whether the connectors are suitable for use in other applications.

To prevent the connector being opened unintentionally when used in electrical circuits containing hazardous life parts, the thread between the housing and the connector head must be secured using a suitable cyanoacrylate adhesive. This does not apply to connectors used in SELV and PELV circuits according to IEC 61140 (EN 61140, VDE 0140-1).

Connectors with degree of protection IP 67 and IP 68 are not suitable for use under water. When used outdoors, the connectors must be separately protected against corrosion. For further information about IP degrees of protection refer to 'Technical support' in the Download Centre.