

Product description **Snap-In IP67 male panel mount connector, Contacts: 5, Shielding is not possible, dip-solder, IP67**

Area **Snap-In IP67 series 620**  
Order number **99 9215 090 05**

| Illustration | Scale drawing | Contact arrangement   |  |   |   |   |      |       |   |      |      |   |      |      |   |       |      |   |       |       |
|--------------|---------------|---|--|---|---|---|------|-------|---|------|------|---|------|------|---|-------|------|---|-------|-------|
|              |               | <table border="1" style="margin-left: 20px;"> <thead> <tr> <th></th> <th>X</th> <th>Y</th> </tr> </thead> <tbody> <tr> <td>1</td> <td>1,23</td> <td>-1,70</td> </tr> <tr> <td>2</td> <td>2,00</td> <td>0,65</td> </tr> <tr> <td>3</td> <td>0,00</td> <td>2,10</td> </tr> <tr> <td>4</td> <td>-2,00</td> <td>0,65</td> </tr> <tr> <td>5</td> <td>-1,23</td> <td>-1,70</td> </tr> </tbody> </table> |  | X | Y | 1 | 1,23 | -1,70 | 2 | 2,00 | 0,65 | 3 | 0,00 | 2,10 | 4 | -2,00 | 0,65 | 5 | -1,23 | -1,70 |
|              | X             | Y   |  |   |   |   |      |       |   |      |      |   |      |      |   |       |      |   |       |       |
| 1            | 1,23          | -1,70   |  |   |   |   |      |       |   |      |      |   |      |      |   |       |      |   |       |       |
| 2            | 2,00          | 0,65  |  |   |   |   |      |       |   |      |      |   |      |      |   |       |      |   |       |       |
| 3            | 0,00          | 2,10  |  |   |   |   |      |       |   |      |      |   |      |      |   |       |      |   |       |       |
| 4            | -2,00         | 0,65  |  |   |   |   |      |       |   |      |      |   |      |      |   |       |      |   |       |       |
| 5            | -1,23         | -1,70   |  |   |   |   |      |       |   |      |      |   |      |      |   |       |      |   |       |       |

**You can find the assembly instructions on the next page.**

## Technical data

### General values

|                          |                            |
|--------------------------|----------------------------|
| Connector design         | male panel mount connector |
| Connector locking system | snap                       |
| Termination              | dip-solder                 |
| Upper limit temperature  | 85 °C                      |
| Lower limit temperature  | - 25 °C                    |
| Customs tariff number    | 85369010                   |

### Electrical values

|                           |                           |
|---------------------------|---------------------------|
| Rated current (40 °C)     | 2 A                       |
| Rated voltage             | 63 V                      |
| Rated impulse voltage     | 800 V                     |
| Pollution degree          | 2                         |
| Overvoltage category      | II                        |
| Insulating material group | II                        |
| Insulation resistance     | ≥ 10 <sup>10</sup> Ω      |
| EMC compliance            | Shielding is not possible |
| Degree of protection      | IP67                      |
| Mechanical operation      | > 500 Mating cycles       |

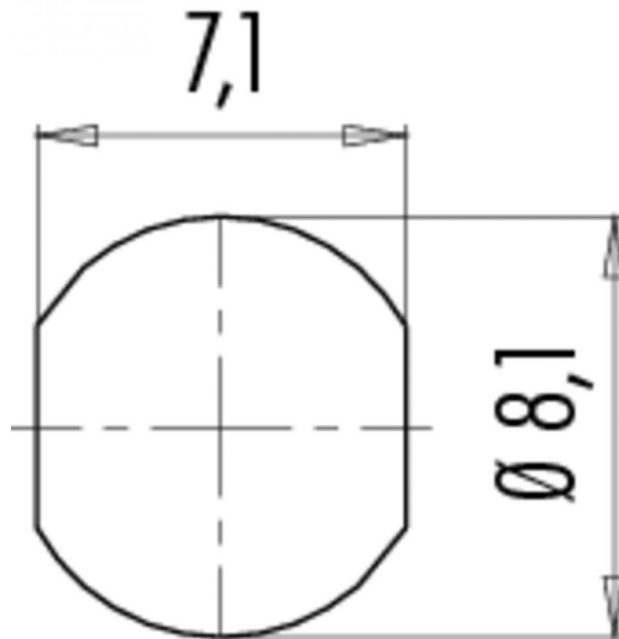
### Material

|                       |                |
|-----------------------|----------------|
| Contact material      | CuZn (brass)   |
| Contact plating       | Au (gold)      |
| Contact body material | PA (UL 94 V-0) |
| Housing material      | PA             |

Product description Snap-In IP67 male panel mount connector, Contacts: 5, Shielding is not possible, dip-solder, IP67

Area Snap-In IP67 series 620  
Order number 99 9215 090 05

Assembly instructions / Panel cut-out



|                     |  |
|---------------------|--|
| Product description | <b>Snap-In IP67 male panel mount connector, Contacts: 5, Shielding is not possible, dip-solder, IP67</b> |
| Area                | <b>Snap-In IP67 series 620</b>   |
| Order number        | <b>99 9215 090 05</b>  |

## Security notices

The connectors are designed for use in plant, control system and electrical equipment. The end user is responsible for checking whether the connectors are suitable for use in other applications. Connectors with degree of protection IP 67 and IP 68 are not suitable for use under water. When used outdoors, the connectors must be separately protected against corrosion. For further information about IP degrees of protection refer to 'Technical support' in the Download Centre.