
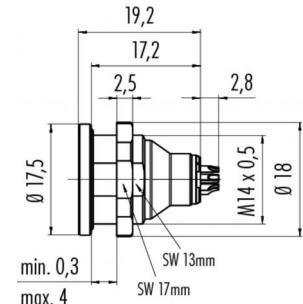
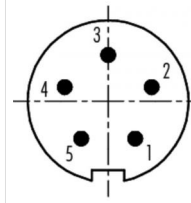


Product description	Push-Pull male panel mount connector, Contacts: 5, shieldable, solder, IP67
Area	Push-Pull series 430
Order number	09 4915 00 05

Illustration	Scale drawing	Contact arrangement																		
		 <table border="1" style="margin-left: 20px;"> <thead> <tr> <th></th> <th>X</th> <th>Y</th> </tr> </thead> <tbody> <tr> <td>1</td> <td>1,00</td> <td>-1,37</td> </tr> <tr> <td>2</td> <td>1,61</td> <td>0,52</td> </tr> <tr> <td>3</td> <td>0,00</td> <td>1,70</td> </tr> <tr> <td>4</td> <td>-1,61</td> <td>0,52</td> </tr> <tr> <td>5</td> <td>-1,00</td> <td>-1,37</td> </tr> </tbody> </table>		X	Y	1	1,00	-1,37	2	1,61	0,52	3	0,00	1,70	4	-1,61	0,52	5	-1,00	-1,37
	X	Y																		
1	1,00	-1,37																		
2	1,61	0,52																		
3	0,00	1,70																		
4	-1,61	0,52																		
5	-1,00	-1,37																		

You can find the component part drawing and assembly instructions on the next page.

Technical data

General values

Connector design	male panel mount connector
Connector locking system	Push-Pull
Termination	solder
Wire gauge (mm)	0.25 mm ²
Wire gauge (AWG)	24
Upper limit temperature	85 °C
Lower limit temperature	- 40 °C
Customs tariff number	85369010

Electrical values

Rated current (40 °C)	3 A
Rated voltage	125 V
Rated impulse voltage	1500 V
Pollution degree	2
Overvoltage category	I
Insulating material group	II
Volume resistivity	≤ 5 mΩ
EMC compliance	shieldable
Degree of protection	IP67
Mechanical operation	> 500 Mating cycles

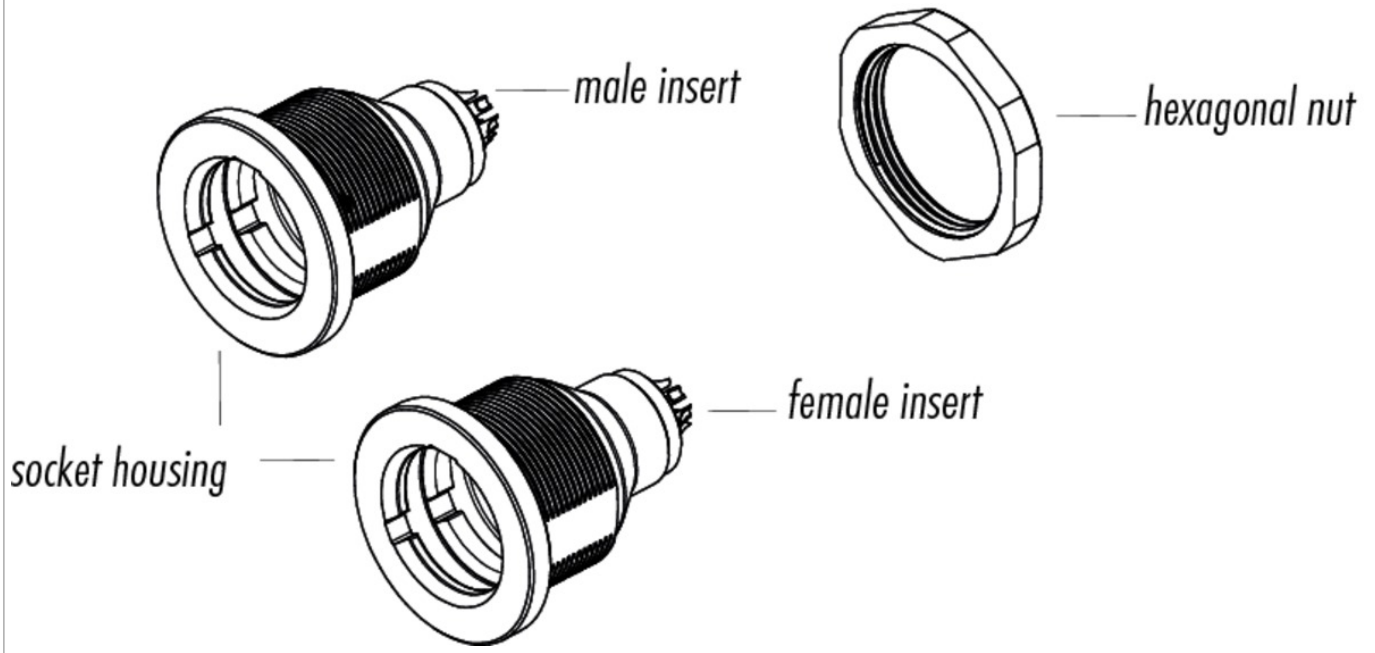
Material

Contact material	CuZn (brass)
Contact plating	Au (gold)
Contact body material	PBT, PA

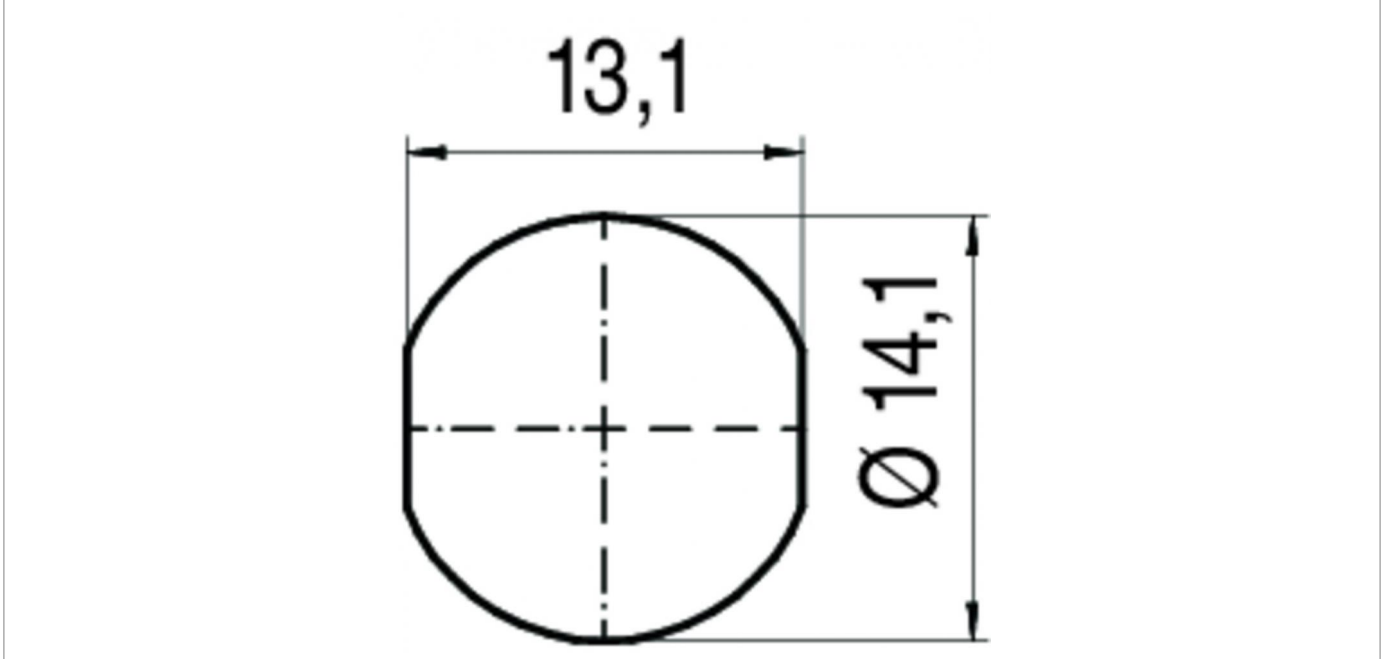
Product description **Push-Pull male panel mount connector, Contacts: 5, shieldable, solder, IP67**

Area **Push-Pull series 430**
Order number **09 4915 00 05**

Component part drawing



Assembly instructions / Panel cut-out



Product description	Push-Pull male panel mount connector, Contacts: 5, shieldable, solder, IP67
Area	Push-Pull series 430
Order number	09 4915 00 05

Security notices

The connector must not be connected or separated under load. Non-observance and incorrect use can result in personal injury.

The connectors are designed for use in plant, control system and electrical equipment. The end user is responsible for checking whether the connectors are suitable for use in other applications.

Connectors used in electrical circuits containing hazardous life parts must only be assembled and used by or under the supervision of persons with the requisite electrotechnical training, taking the applicable regulations and standards into account.

Connectors with degree of protection IP 67 and IP 68 are not suitable for use under water. When used outdoors, the connectors must be separately protected against corrosion. For further information about IP degrees of protection refer to 'Technical support' in the Download Centre.