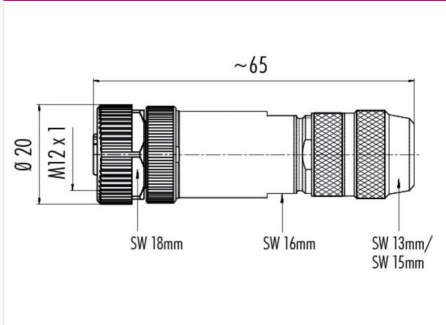


Product description	M12-B female cable connector, Contacts: 5, 8.0 - 9.0 mm, shieldable, wire clamp, IP67
Area	M12-B series 715
Order number	99 1534 810 05

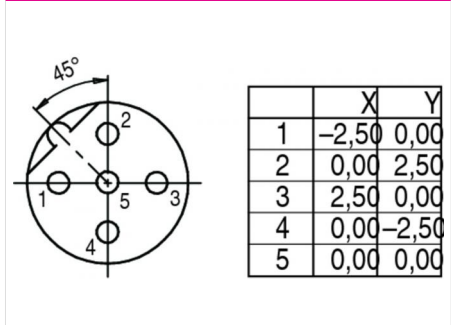
Illustration



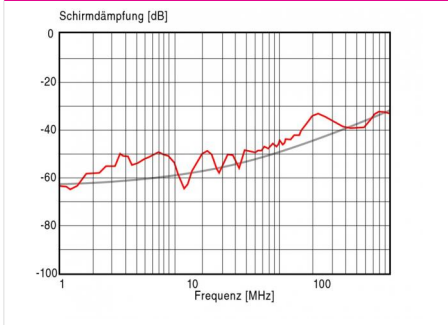
Scale drawing



Contact arrangement



Derating curve



You can find the component part drawing and assembly instructions on the next page.

Technical data

General values

Connector design	female cable connector
Connector locking system	screw
Termination	wire clamp
Wire gauge (mm)	0.50 mm ²
Wire gauge (AWG)	20
Cable outlet	8.0 - 9.0 mm
Upper limit temperature	85 °C
Lower limit temperature	-40 °C
Customs tariff number	85369010

Electrical values

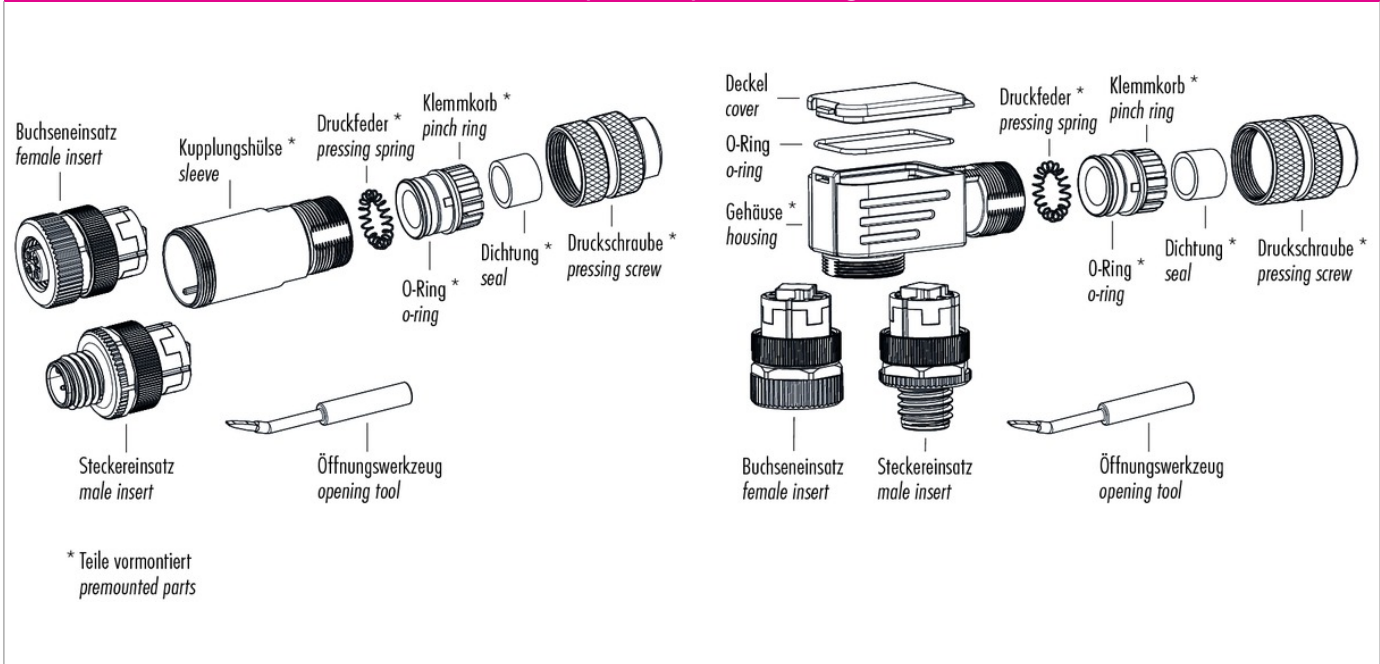
Rated current (40 °C)	4 A
Rated voltage	60 V
Rated impulse voltage	1500 V
Pollution degree	3
Overvoltage category	II
Insulating material group	III
Volume resistivity	≤ 3 mΩ
Insulation resistance	≥ 10 ¹⁰ Ω
EMC compliance	shieldable
Degree of protection	IP67
Mechanical operation	> 100 Mating cycles

Material

Contact material	CuSn (bronze)
Contact plating	Au (gold)
Contact body material	PA
Housing material	Zinc die-cast nickel-plated

Product description	M12-B female cable connector, Contacts: 5, 8.0 - 9.0 mm, shieldable, wire clamp, IP67
Area	M12-B series 715
Order number	99 1534 810 05

Component part drawing



Assembly instructions / Panel cut-out

Schirmdurchmesser >5,5 mm
shielding braid diameter >5,5 mm

Schirmdurchmesser ≤5,5 mm
shielding braid diameter ≤5,5 mm

Öffnungswerkzeug für Käfigzugfeder-version
opening tool for wire clamp connection

Schirmdurchmesser ≤5,5 mm

1. Gehäuse auf Kabel auffädeln.
2. Abmanteln, abisolieren, Schirm kürzen, Schirm auf Kabelmantel umschlagen und mit Kupfer-Tape umwickeln.
3. Litzen anschließen (schrauben).
4. 4 Kontakte bestücken.
5. Gehäuse mit Stecker- bzw. Buchseneinsatz verschrauben und Druckschraube festdrehen.

Schirmdurchmesser >5,5 mm

1. Gehäuse auf Kabel auffädeln.
2. Abmanteln, abisolieren, Schirm kürzen.
3. Litzen anschließen (schrauben).
4. 4 Kontakte bestücken.
5. Gehäuse mit Stecker- bzw. Buchseneinsatz verschrauben und Druckschraube festdrehen.

Festdrehen mit ≥ 100 cNm
screw down with a torque ≥ 100 cNm

Schirm auf Kabelmantel umschlagen und mit Kupfer-Tape umwickeln
wrap shielding braid with copper tape and revert to cable jacket

	Schraubklemmversion screw connection	Käfigzugfeder-version wire clamp connection
Maß A/mm measure A/mm	5	7

Product description	M12-B female cable connector, Contacts: 5, 8.0 - 9.0 mm, shieldable, wire clamp, IP67
Area	M12-B series 715
Order number	99 1534 810 05

Security notices

The connectors are designed for use in plant, control system and electrical equipment. The end user is responsible for checking whether the connectors are suitable for use in other applications.

Connectors with degree of protection IP 67 and IP 68 are not suitable for use under water. When used outdoors, the connectors must be separately protected against corrosion. For further information about IP degrees of protection refer to 'Technical support' in the Download Centre.

To lock the cable connector to the equipment connector, the threaded ring is tightened until it is 'finger-tight' (approx. 50 cNm).