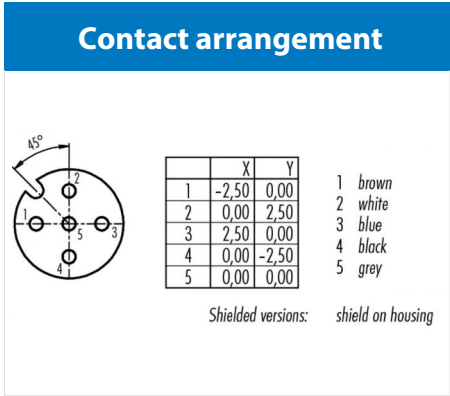
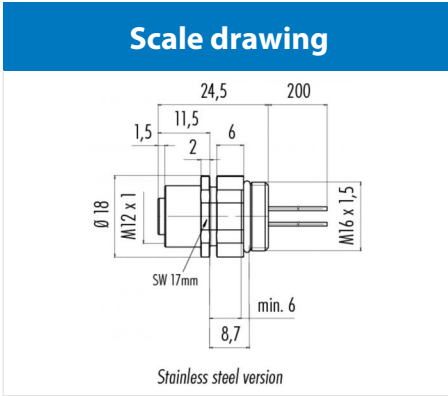


Product description	M12-A female panel mount connector, Contacts: 5, not shielded, single wires, IP68, UL, M16x1.5 positionable VA
Area	M12-A series 713
Order number	76 2832 0111 00005-0200



You can find the assembly instructions on the next page.

Technical data

General values

Connector design	female panel mount connector
Connector locking system	screw
Termination	single wires
Wire gauge (mm)	0.25 mm ²
Wire gauge (AWG)	24
Upper limit temperature	85 °C
Lower limit temperature	- 40 °C
Customs tariff number	85369010

Cable data

Approval 1	UL
------------	----

Electrical values

Rated current (40 °C)	4 A (3 A UL)
Rated voltage	60 V
Rated impulse voltage	1500 V
Pollution degree	3
Overvoltage category	II
Insulating material group	III
Volume resistivity	≤ 3 mΩ
Insulation resistance	> 10 ⁸ Ω
EMC compliance	not shielded
Degree of protection	IP68
Mechanical operation	> 100 Mating cycles

Material

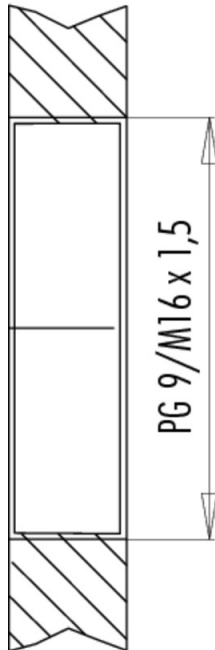
Contact material	CuSn (bronze)
Contact plating	Au (gold)
Contact body material	PA
Housing material	stainless steel

Product description **M12-A female panel mount connector, Contacts: 5, not shielded, single wires, IP68, UL, M16x1.5 positionable VA**

Area **M12-A series 713**

Order number **76 2832 0111 00005-0200**

Assembly instructions / Panel cut-out



Anzugsdrehmoment/Tightening torque

Metallgehäuse/Metal housing 6,25 Nm

Kunststoffgehäuse/Plastic housing 3,75 Nm

Product description	M12-A female panel mount connector, Contacts: 5, not shielded, single wires, IP68, UL, M16x1.5 positionable VA
Area	M12-A series 713
Order number	76 2832 0111 00005-0200

Security notices

The connector must not be connected or separated under load. Non-observance and incorrect use can result in personal injury.

The connectors are designed for use in plant, control system and electrical equipment. The end user is responsible for checking whether the connectors are suitable for use in other applications.

Connectors with degree of protection IP 67 and IP 68 are not suitable for use under water. When used outdoors, the connectors must be separately protected against corrosion. For further information about IP degrees of protection refer to 'Technical support' in the Download Centre.