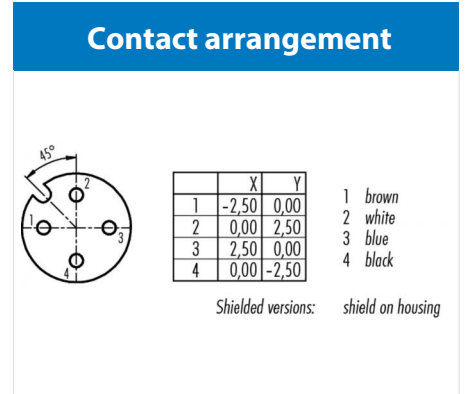
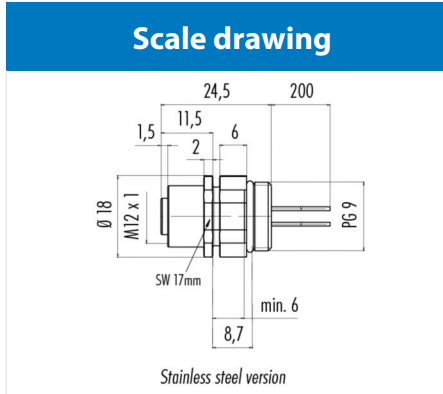


Product description **M12-A female panel mount connector, Contacts: 4, not shielded, single wires, IP68, UL, PG9 positionable VA**

Area **M12-A series 713**
 Order number **76 2732 0111 00004-0200**



You can find the assembly instructions on the next page.

Technical data

General values

Notice Please note that, due to the change from the old to the new order number, there may be deviations in the technical specifications. For questions about product details, please use the 'Contact Customer Service' form on the right.

Connector design female panel mount connector
 Connector locking system screw
 Termination single wires
 Wire gauge (mm) 0.25 mm²
 Wire gauge (AWG) 24
 Upper limit temperature 85 °C
 Lower limit temperature -40 °C
 Customs tariff number 85369010

Cable data

Approval 1 UL

Electrical values

Rated current (40 °C) 4 A (3 A UL)
 Rated voltage 250 V
 Rated impulse voltage 2500 V
 Pollution degree 3
 Overvoltage category II
 Insulating material group III
 Volume resistivity ≤ 3 mΩ
 Insulation resistance > 10⁸ Ω
 EMC compliance not shielded
 Degree of protection IP68
 Mechanical operation > 100 Mating cycles

Material

Contact material CuSn (bronze)
 Contact plating Au (gold)
 Contact body material PA
 Housing material stainless steel

Product description	M12-A female panel mount connector, Contacts: 4, not shielded, single wires, IP68, UL, PG9 positionable VA
Area	M12-A series 713
Order number	76 2732 0111 00004-0200

Assembly instructions / Panel cut-out



Anzugsdrehmoment/Tightening torque

Metallgehäuse/Metal housing	6,25 Nm
Kunststoffgehäuse/Plastic housing	3,75 Nm

Product description	M12-A female panel mount connector, Contacts: 4, not shielded, single wires, IP68, UL, PG9 positionable VA
Area	M12-A series 713
Order number	76 2732 0111 00004-0200

Security notices

The connector must not be connected or separated under load. Non-observance and incorrect use can result in personal injury.

The connectors are designed for use in plant, control system and electrical equipment. The end user is responsible for checking whether the connectors are suitable for use in other applications.

Connectors with degree of protection IP 67 and IP 68 are not suitable for use under water. When used outdoors, the connectors must be separately protected against corrosion. For further information about IP degrees of protection refer to 'Technical support' in the Download Centre.