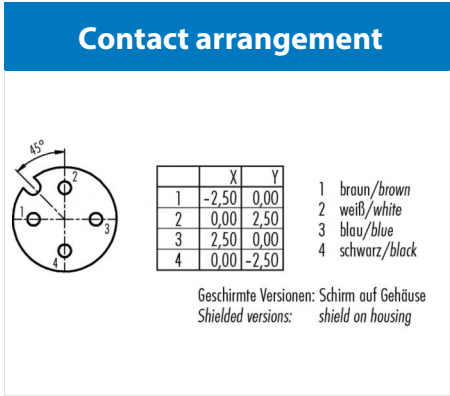
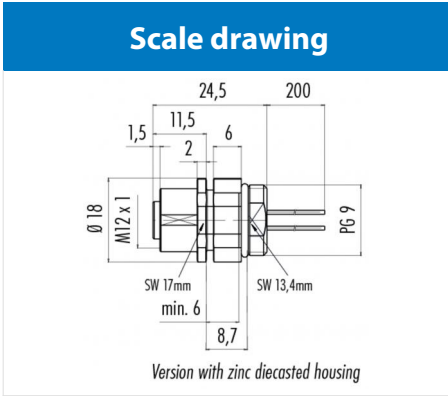


Product description **M12-A female panel mount connector, Contacts: 4, not shielded, single wires, IP68, PG9 positionable**

Area **M12-A series 713**  
 Order number **76 0732 0011 00004-0200**



You can find the assembly instructions on the next page.

## Technical data

### General values

Notice Please note that, due to the change from the old to the new order number, there may be deviations in the technical specifications. For questions about product details, please use the 'Contact Customer Service' form on the right.

Connector design female panel mount connector  
 Connector locking system screw  
 Termination single wires  
 Wire gauge (mm) 0.25 mm<sup>2</sup>  
 Wire gauge (AWG) 24  
 Upper limit temperature 85 °C  
 Lower limit temperature -40 °C  
 Customs tariff number 85369010

### Electrical values

Rated current (40 °C) 4 A  
 Rated voltage 250 V  
 Rated impulse voltage 2500 V  
 Pollution degree 3  
 Overvoltage category II  
 Insulating material group III  
 Volume resistivity ≤ 3 mΩ  
 Insulation resistance > 10<sup>8</sup> Ω  
 EMC compliance not shielded  
 Degree of protection IP68  
 Mechanical operation > 100 Mating cycles

### Material

Contact material CuSn (bronze)  
 Contact plating Au (gold)  
 Contact body material PA  
 Housing material Zinc die-cast nickel-plated

Product description **M12-A female panel mount connector, Contacts: 4, not shielded, single wires, IP68, PG9 positionable**

Area **M12-A series 713**

Order number **76 0732 0011 00004-0200**

Assembly instructions / Panel cut-out



Anzugsdrehmoment/Tightening torque

Metallgehäuse/Metal housing 6,25 Nm

Kunststoffgehäuse/Plastic housing 3,75 Nm

Product description	<b>M12-A female panel mount connector, Contacts: 4, not shielded, single wires, IP68, PG9 positionable</b>
Area	<b>M12-A series 713</b>
Order number	<b>76 0732 0011 00004-0200</b>

## Security notices

The connector must not be connected or separated under load. Non-observance and incorrect use can result in personal injury.

The connectors are designed for use in plant, control system and electrical equipment. The end user is responsible for checking whether the connectors are suitable for use in other applications.

Connectors with degree of protection IP 67 and IP 68 are not suitable for use under water. When used outdoors, the connectors must be separately protected against corrosion. For further information about IP degrees of protection refer to 'Technical support' in the Download Centre.