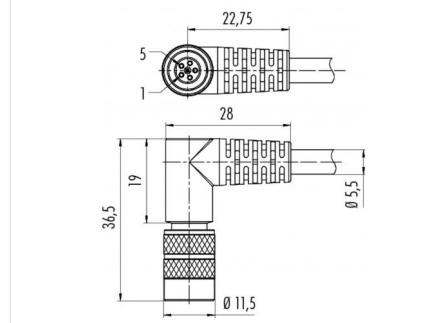


Product description	M9 IP67 female angled connector, Contacts: 3, shielded, moulded on cable, IP67, PUR black, 3 x 0.25 mm²
Area	M9 IP67 series 702
Order number	79 1406 72 03

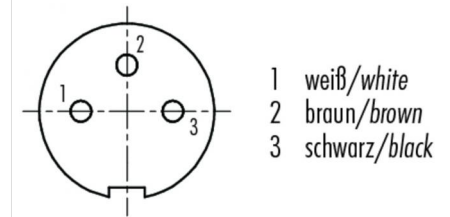
Illustration



Scale drawing



Contact arrangement



Technical data

General values

Connector design	female angled connector
Connector locking system	screw
Termination	moulded on cable
Wire gauge (mm)	0.25 mm ²
Wire gauge (AWG)	24
Upper limit temperature	70 °C
Lower limit temperature	- 25 °C
Customs tariff number	85444290

Electrical values

Rated current (40 °C)	4 A
Rated voltage	125 V
Rated impulse voltage	1500 V
Pollution degree	1
Overvoltage category	II
Insulating material group	III
Insulation resistance	≥ 10 ¹⁰ Ω
EMC compliance	shielded
Degree of protection	IP67
Mechanical operation	> 500 Mating cycles

Cable data

Cable length	2 m
Sheath material	PUR
Single-lead insulation	PVC
Single-lead structure	14 x 0,15 mm mm
Cable diameter	5.3 mm
Conductor resistance	75Ω/Km
Temperature range, moving cable, °C from	- 5 °C
Temperature range, moving cable, °C to	70 °C
Temperature range, fixed cable, °C from	-25 °C
Temperature range, fixed cable, °C to	70 °C
Bending radius, fixed cable	≥ 53 mm
Bending radius, moving cable	≥ 80 mm

Material

Contact material	CuSn (bronze)
Contact plating	Au (gold)
Contact body material	PBT (UL 94 V-0)
Housing material	PUR

Product description	M9 IP67 female angled connector, Contacts: 3, shielded, moulded on cable, IP67, PUR black, 3 x 0.25 mm²
Area	M9 IP67 series 702
Order number	79 1406 72 03

Security notices

The connector must not be connected or separated under load. Non-observance and incorrect use can result in personal injury.

The connectors are designed for use in plant, control system and electrical equipment. The end user is responsible for checking whether the connectors are suitable for use in other applications.

To lock the cable connector to the equipment connector, the threaded ring is tightened until it is 'finger-tight' (approx. 50 cNm).