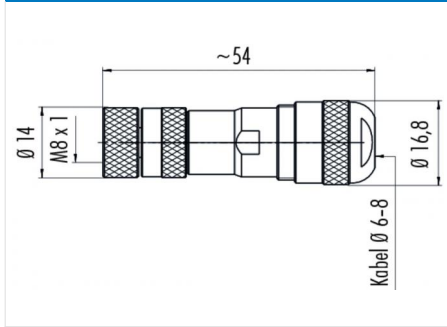


Product description	<b>M8 female cable connector, Contacts: 3, 6.0 - 8.0 mm, shieldable, screw clamp, IP67, UL listed</b>
Area	<b>M8 series 768</b>
Order number	<b>99 3360 300 03</b>

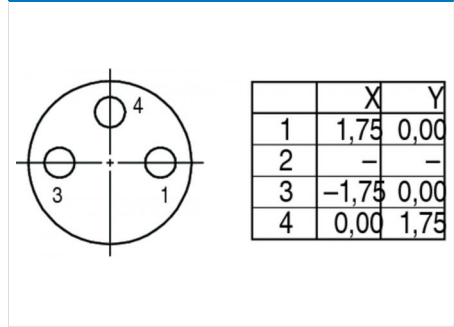
**Illustration**



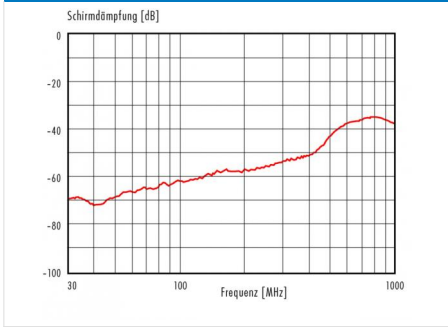
**Scale drawing**



**Contact arrangement**



**Derating curve**



**You can find the component part drawing and assembly instructions on the next page.**

**Technical data**

**General values**

Connector design	female cable connector
Connector locking system	screw
Termination	screw clamp
Wire gauge (mm)	0.14 - 0.50 mm <sup>2</sup>
Wire gauge (AWG)	26 - 20
Cable outlet	6.0 - 8.0 mm
Upper limit temperature	85 °C
Lower limit temperature	- 40 °C
Customs tariff number	85369010

**Electrical values**

Rated current (40 °C)	4 A
Rated voltage	60 V
Rated impulse voltage	1500 V
Pollution degree	3
Overvoltage category	III
Insulating material group	III
Volume resistivity	≤ 3 mΩ
EMC compliance	shieldable
Degree of protection	IP67
Mechanical operation	> 100 Mating cycles

**Cable data**

Approval 1	UL listed
------------	-----------

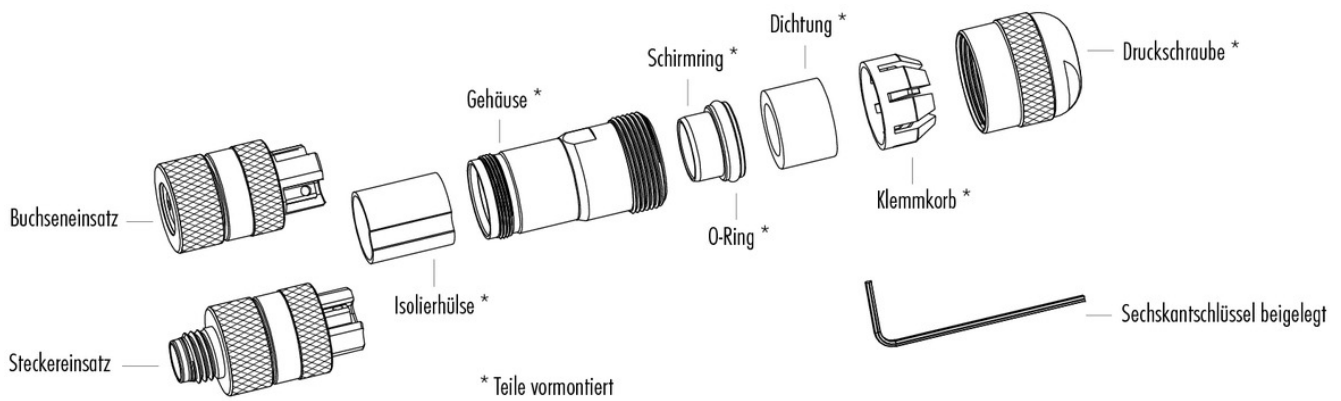
**Material**

Contact material	CuZn (brass)
Contact plating	Au (gold)
Contact body material	PA

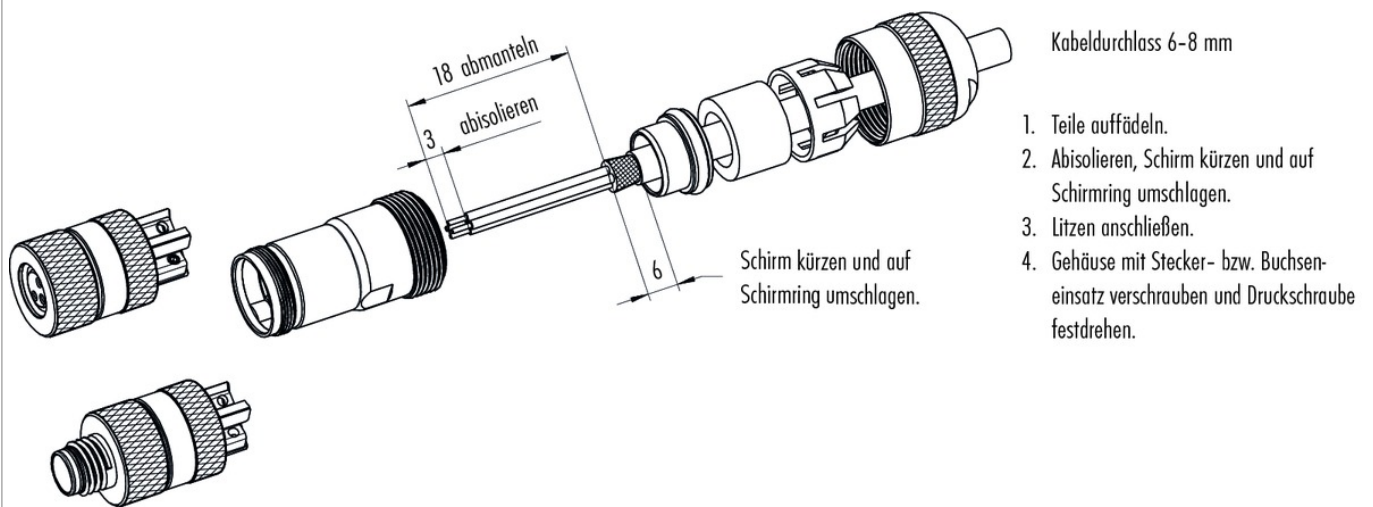
Product description **M8 female cable connector, Contacts: 3, 6.0 - 8.0 mm, shieldable, screw clamp, IP67, UL listed**

Area **M8 series 768**  
Order number **99 3360 300 03**

Component part drawing



Assembly instructions / Panel cut-out



1. Teile auffädeln.
2. Abisolieren, Schirm kürzen und auf Schirmring umschlagen.
3. Litzen anschließen.
4. Gehäuse mit Stecker- bzw. Buchsen-einsatz verschrauben und Druckschraube festdrehen.

Product description	<b>M8 female cable connector, Contacts: 3, 6.0 - 8.0 mm, shieldable, screw clamp, IP67, UL listed</b>
Area	<b>M8 series 768</b>
Order number	<b>99 3360 300 03</b>

## Security notices

The connectors are designed for use in plant, control system and electrical equipment. The end user is responsible for checking whether the connectors are suitable for use in other applications.

To lock the cable connector to the equipment connector, the threaded ring is tightened until it is 'finger-tight' (approx. 50 cNm).