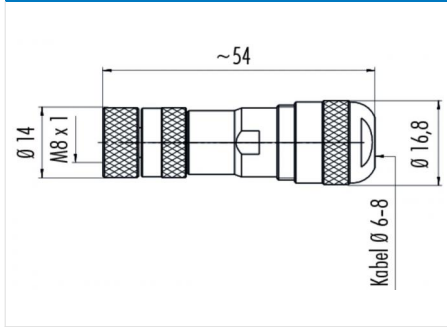


Product description	M8 female cable connector, Contacts: 4, 6.0 - 8.0 mm, shieldable, screw clamp, IP67, UL listed
Area	M8 series 768
Order number	99 3362 300 04

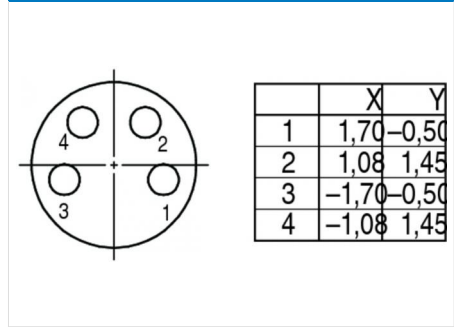
Illustration



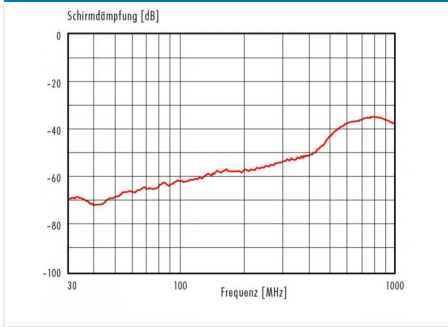
Scale drawing



Contact arrangement



Derating curve



You can find the component part drawing and assembly instructions on the next page.

Technical data

General values

Connector design	female cable connector
Connector locking system	screw
Termination	screw clamp
Wire gauge (mm)	0.14 - 0.50 mm ²
Wire gauge (AWG)	26 - 20
Cable outlet	6.0 - 8.0 mm
Upper limit temperature	85 °C
Lower limit temperature	- 40 °C
Customs tariff number	85369010

Electrical values

Rated current (40 °C)	4 A
Rated voltage	60 V
Rated impulse voltage	1500 V
Pollution degree	3
Overvoltage category	III
Insulating material group	III
Volume resistivity	≤ 3 mΩ
EMC compliance	shieldable
Degree of protection	IP67
Mechanical operation	> 100 Mating cycles

Cable data

Approval 1	UL listed
------------	-----------

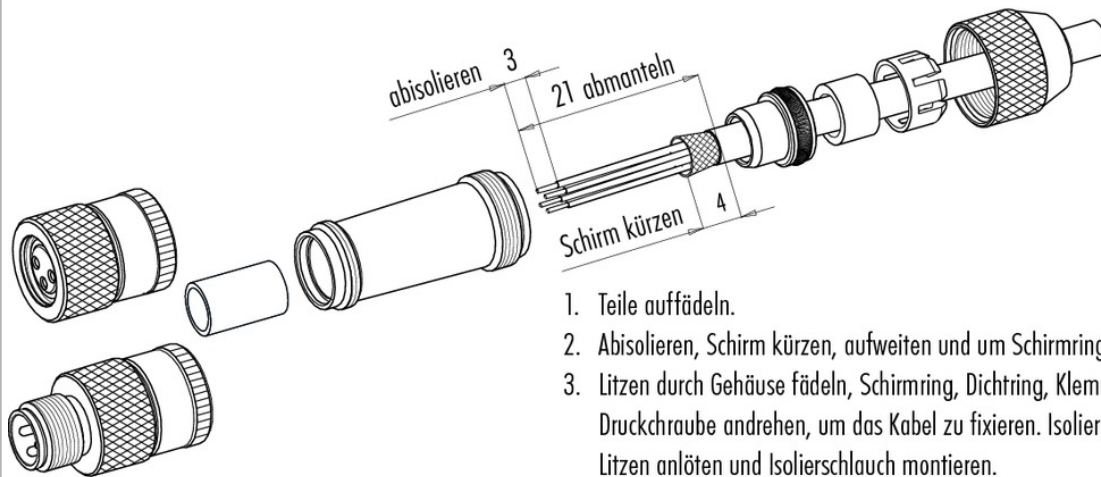
Material

Contact material	CuSn (bronze)
Contact plating	Au (gold)
Contact body material	PA

Product description **M8 female cable connector, Contacts: 4, 6.0 - 8.0 mm, shieldable, screw clamp, IP67, UL listed**

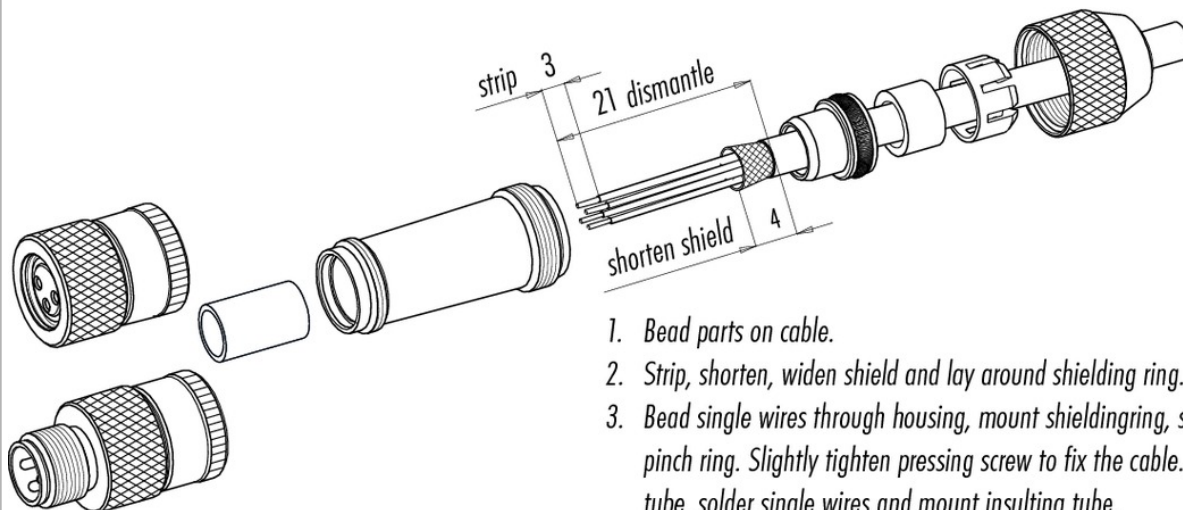
Area **M8 series 768**
Order number **99 3362 300 04**

Component part drawing



1. Teile auffädeln.
2. Abisolieren, Schirm kürzen, aufweiten und um Schirmring legen.
3. Litzen durch Gehäuse fädeln, Schirmring, Dichtring, Klemmkorb montieren. Druckschraube andrehen, um das Kabel zu fixieren. Isolierschlauch auffädeln, Litzen anlöten und Isolierschlauch montieren.
4. Gehäuse mit Stecker- bzw. Buchseneinsatz verschrauben und Druckschraube festdrehen.
5. Bei Winkelversion Verschlusschraube anziehen.

Assembly instructions / Panel cut-out



1. Bead parts on cable.
2. Strip, shorten, widen shield and lay around shielding ring.
3. Bead single wires through housing, mount shieldingring, sealing ring and pinch ring. Slightly tighten pressing screw to fix the cable. Bead insulating tube, solder single wires and mount insulating tube.
4. Screw male or female contact carrier to housing and tighten pressing screw.
5. Angled version: tighten locking screw.

Product description	M8 female cable connector, Contacts: 4, 6.0 - 8.0 mm, shieldable, screw clamp, IP67, UL listed
Area	M8 series 768
Order number	99 3362 300 04

Security notices

The connectors are designed for use in plant, control system and electrical equipment. The end user is responsible for checking whether the connectors are suitable for use in other applications.

To lock the cable connector to the equipment connector, the threaded ring is tightened until it is 'finger-tight' (approx. 50 cNm).