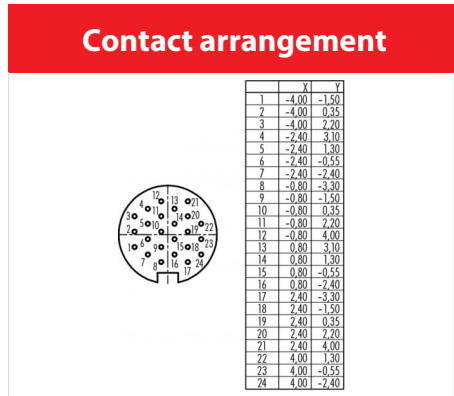
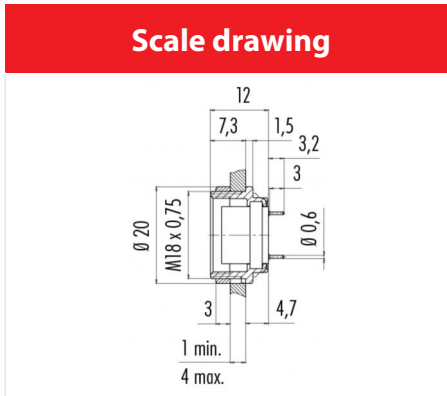


Product description	M16 IP40 female panel mount connector, Contacts: 24, Shielding is not possible, dip-solder, IP40
Area	M16 IP40 series 680
Order number	09 0198 90 24



You can find the assembly instructions on the next page.

Technical data

General values

Connector design	female panel mount connector
Connector locking system	screw
Termination	dip-solder
Upper limit temperature	85 °C
Lower limit temperature	- 40 °C
Customs tariff number	85369010

Electrical values

Rated current (40 °C)	1 A
Rated voltage	60 V
Rated impulse voltage	500 V
Pollution degree	1
Overvoltage category	I
Insulating material group	III
Volume resistivity	≤ 3 mΩ
Insulation resistance	≥ 10 ¹⁰ Ω
EMC compliance	Shielding is not possible
Degree of protection	IP40
Mechanical operation	> 500 Mating cycles

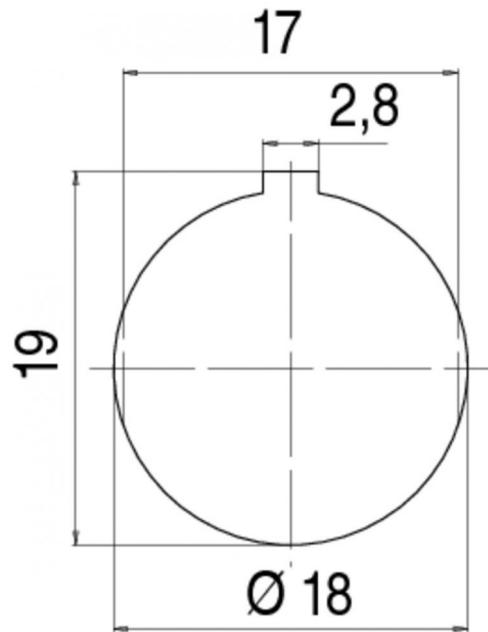
Material

Contact material	CuSn (bronze)
Contact plating	Au (gold)
Contact body material	PBT (UL 94 V-0)
Housing material	Zinc die-cast nickel-plated

Product description **M16 IP40 female panel mount connector, Contacts: 24, Shielding is not possible, dip-solder, IP40**

Area **M16 IP40 series 680**
Order number **09 0198 90 24**

Assembly instructions / Panel cut-out



Product description	M16 IP40 female panel mount connector, Contacts: 24, Shielding is not possible, dip-solder, IP40
Area	M16 IP40 series 680
Order number	09 0198 90 24

Security notices

The connectors are designed for use in plant, control system and electrical equipment. The end user is responsible for checking whether the connectors are suitable for use in other applications.