

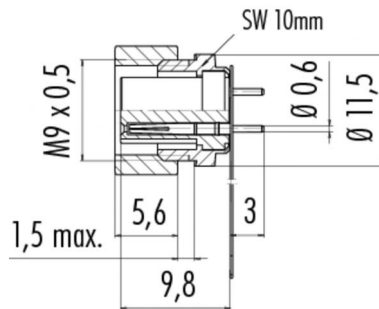
Product description **M9 IP40 female panel mount connector, Contacts: 8, Shielding is not possible, dip-solder, IP40**

Area **M9 IP40 series 711**
Order number **09 0482 65 08**

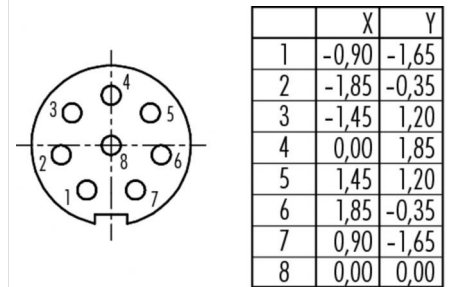
Illustration



Scale drawing



Contact arrangement



You can find the assembly instructions on the next page.

Technical data

General values

Connector design female panel mount connector
Connector locking system screw
Termination dip-solder
Upper limit temperature 85 °C
Lower limit temperature -40 °C
Customs tariff number 85369010

Electrical values

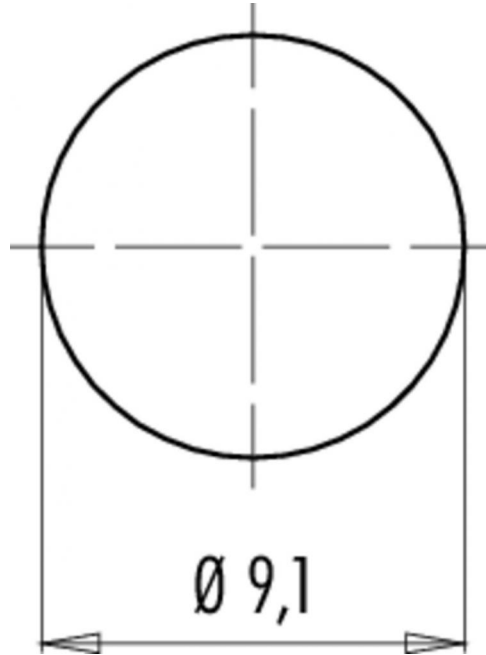
Rated current (40 °C) 1 A
Rated voltage 125 V
Rated impulse voltage 1500 V
Pollution degree 1
Overvoltage category II
Insulating material group III
Insulation resistance $\geq 10^{10} \Omega$
EMC compliance Shielding is not possible
Degree of protection IP40
Mechanical operation > 500 Mating cycles

Material

Contact material CuSn (bronze)
Contact plating Au (gold)
Contact body material PA (UL 94 V-0)

Product description	M9 IP40 female panel mount connector, Contacts: 8, Shielding is not possible, dip-solder, IP40
Area	M9 IP40 series 711
Order number	09 0482 65 08

Assembly instructions / Panel cut-out



Product description	M9 IP40 female panel mount connector, Contacts: 8, Shielding is not possible, dip-solder, IP40
Area	M9 IP40 series 711
Order number	09 0482 65 08

Security notices

The connector must not be connected or separated under load. Non-observance and incorrect use can result in personal injury.

The connectors are designed for use in plant, control system and electrical equipment. The end user is responsible for checking whether the connectors are suitable for use in other applications.