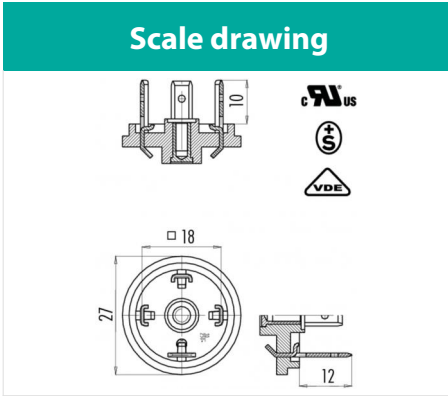


Product description	<b>Size A male connector (panel mount), Contacts: 2+PE, not shielded, solder, IP65, UL, ESTI+, VDE</b>
Area	<b>Size A series 210</b>
Order number	<b>43 1701 000 03</b>



## Technical data

### General values

Connector design	male connector (panel mount)
Connector locking system	screw
Termination	solder
Wire gauge (mm)	1.00 mm <sup>2</sup>
Wire gauge (AWG)	17
Upper limit temperature	100 °C
Lower limit temperature	- 20 °C
Customs tariff number	85369010

### Cable data

Approval 1	UL
Approval 2	ESTI+
Approval 3	VDE

### Electrical values

Rated current (40 °C)	10 A
Rated voltage	250 V
Rated impulse voltage	4000 V
Pollution degree	3
Overvoltage category	III
Insulating material group	III
Volume resistivity	≤ 15 mΩ
Insulation resistance	≥ 10 <sup>10</sup> Ω
EMC compliance	not shielded
Degree of protection	IP65
Mechanical operation	> 50 Mating cycles

### Material

Contact material	CuZn (brass)
Contact plating	Sn (tin)
Contact body material	PA (UL 94 HB)

Product description	<b>Size A male connector (panel mount), Contacts: 2+PE, not shielded, solder, IP65, UL, ESTI+, VDE</b>
Area	<b>Size A series 210</b>
Order number	<b>43 1701 000 03</b>

## Security notices

The connector must not be connected or separated under load. Non-observance and incorrect use can result in personal injury.

The connectors are designed for use in plant, control system and electrical equipment. The end user is responsible for checking whether the connectors are suitable for use in other applications.

Connectors used in electrical circuits containing hazardous life parts must only be assembled and used by or under the supervision of persons with the requisite electrotechnical training, taking the applicable regulations and standards into account.

Connectors with degree of protection IP 67 and IP 68 are not suitable for use under water. When used outdoors, the connectors must be separately protected against corrosion. For further information about IP degrees of protection refer to 'Technical support' in the Download Centre.