

Bezeichnung **M16 IP67 Flanschdose, Polzahl: 19, nicht schirmbar, tauchlöten, IP67, UL**
 Produktgruppe **M16 IP67 Serie 723**
 Bestellnummer **09 0464 90 19**

| Abbildung | Maßzeichnung | Polbild | | | | | | | | | | | | | | | | | | | | | | | | | | | | | | | | | | | | | | | | | | | | | | | | | | | | | | | | | | | | |
|-----------|--------------|--|--|---|---|---|------|-------|---|------|-------|---|------|------|---|------|------|---|------|------|---|------|------|---|-------|------|---|-------|------|---|-------|------|---|-------|-------|---|-------|-------|---|------|-------|---|------|-------|---|------|------|---|------|------|---|-------|------|---|-------|------|---|-------|-------|---|-------|-------|
| | | <table border="1" style="margin-left: auto; margin-right: auto;"> <thead> <tr> <th></th> <th>X</th> <th>Y</th> </tr> </thead> <tbody> <tr><td>A</td><td>2,50</td><td>-4,00</td></tr> <tr><td>B</td><td>4,00</td><td>-2,25</td></tr> <tr><td>C</td><td>4,25</td><td>0,00</td></tr> <tr><td>D</td><td>4,00</td><td>2,40</td></tr> <tr><td>E</td><td>2,30</td><td>4,00</td></tr> <tr><td>F</td><td>0,00</td><td>4,25</td></tr> <tr><td>G</td><td>-2,30</td><td>4,00</td></tr> <tr><td>H</td><td>-4,00</td><td>2,40</td></tr> <tr><td>I</td><td>-4,25</td><td>0,00</td></tr> <tr><td>K</td><td>-4,00</td><td>-2,25</td></tr> <tr><td>L</td><td>-2,50</td><td>-4,00</td></tr> <tr><td>M</td><td>0,95</td><td>-2,40</td></tr> <tr><td>N</td><td>2,40</td><td>-0,95</td></tr> <tr><td>O</td><td>2,40</td><td>0,95</td></tr> <tr><td>P</td><td>0,95</td><td>2,40</td></tr> <tr><td>R</td><td>-0,95</td><td>2,40</td></tr> <tr><td>S</td><td>-2,40</td><td>0,95</td></tr> <tr><td>T</td><td>-2,40</td><td>-0,95</td></tr> <tr><td>U</td><td>-0,95</td><td>-2,40</td></tr> </tbody> </table> | | X | Y | A | 2,50 | -4,00 | B | 4,00 | -2,25 | C | 4,25 | 0,00 | D | 4,00 | 2,40 | E | 2,30 | 4,00 | F | 0,00 | 4,25 | G | -2,30 | 4,00 | H | -4,00 | 2,40 | I | -4,25 | 0,00 | K | -4,00 | -2,25 | L | -2,50 | -4,00 | M | 0,95 | -2,40 | N | 2,40 | -0,95 | O | 2,40 | 0,95 | P | 0,95 | 2,40 | R | -0,95 | 2,40 | S | -2,40 | 0,95 | T | -2,40 | -0,95 | U | -0,95 | -2,40 |
| | X | Y | | | | | | | | | | | | | | | | | | | | | | | | | | | | | | | | | | | | | | | | | | | | | | | | | | | | | | | | | | | | |
| A | 2,50 | -4,00 | | | | | | | | | | | | | | | | | | | | | | | | | | | | | | | | | | | | | | | | | | | | | | | | | | | | | | | | | | | | |
| B | 4,00 | -2,25 | | | | | | | | | | | | | | | | | | | | | | | | | | | | | | | | | | | | | | | | | | | | | | | | | | | | | | | | | | | | |
| C | 4,25 | 0,00 | | | | | | | | | | | | | | | | | | | | | | | | | | | | | | | | | | | | | | | | | | | | | | | | | | | | | | | | | | | | |
| D | 4,00 | 2,40 | | | | | | | | | | | | | | | | | | | | | | | | | | | | | | | | | | | | | | | | | | | | | | | | | | | | | | | | | | | | |
| E | 2,30 | 4,00 | | | | | | | | | | | | | | | | | | | | | | | | | | | | | | | | | | | | | | | | | | | | | | | | | | | | | | | | | | | | |
| F | 0,00 | 4,25 | | | | | | | | | | | | | | | | | | | | | | | | | | | | | | | | | | | | | | | | | | | | | | | | | | | | | | | | | | | | |
| G | -2,30 | 4,00 | | | | | | | | | | | | | | | | | | | | | | | | | | | | | | | | | | | | | | | | | | | | | | | | | | | | | | | | | | | | |
| H | -4,00 | 2,40 | | | | | | | | | | | | | | | | | | | | | | | | | | | | | | | | | | | | | | | | | | | | | | | | | | | | | | | | | | | | |
| I | -4,25 | 0,00 | | | | | | | | | | | | | | | | | | | | | | | | | | | | | | | | | | | | | | | | | | | | | | | | | | | | | | | | | | | | |
| K | -4,00 | -2,25 | | | | | | | | | | | | | | | | | | | | | | | | | | | | | | | | | | | | | | | | | | | | | | | | | | | | | | | | | | | | |
| L | -2,50 | -4,00 | | | | | | | | | | | | | | | | | | | | | | | | | | | | | | | | | | | | | | | | | | | | | | | | | | | | | | | | | | | | |
| M | 0,95 | -2,40 | | | | | | | | | | | | | | | | | | | | | | | | | | | | | | | | | | | | | | | | | | | | | | | | | | | | | | | | | | | | |
| N | 2,40 | -0,95 | | | | | | | | | | | | | | | | | | | | | | | | | | | | | | | | | | | | | | | | | | | | | | | | | | | | | | | | | | | | |
| O | 2,40 | 0,95 | | | | | | | | | | | | | | | | | | | | | | | | | | | | | | | | | | | | | | | | | | | | | | | | | | | | | | | | | | | | |
| P | 0,95 | 2,40 | | | | | | | | | | | | | | | | | | | | | | | | | | | | | | | | | | | | | | | | | | | | | | | | | | | | | | | | | | | | |
| R | -0,95 | 2,40 | | | | | | | | | | | | | | | | | | | | | | | | | | | | | | | | | | | | | | | | | | | | | | | | | | | | | | | | | | | | |
| S | -2,40 | 0,95 | | | | | | | | | | | | | | | | | | | | | | | | | | | | | | | | | | | | | | | | | | | | | | | | | | | | | | | | | | | | |
| T | -2,40 | -0,95 | | | | | | | | | | | | | | | | | | | | | | | | | | | | | | | | | | | | | | | | | | | | | | | | | | | | | | | | | | | | |
| U | -0,95 | -2,40 | | | | | | | | | | | | | | | | | | | | | | | | | | | | | | | | | | | | | | | | | | | | | | | | | | | | | | | | | | | | |

Die Montageanleitung finden Sie auf der nachfolgenden Seite.

Technische Daten

Allgemeine Kennwerte

| | |
|-----------------------------|-------------|
| Steckverbinder-Bauform | Flanschdose |
| Steckverbinder Verriegelung | schrauben |
| Anschlussart | tauchlöten |
| Obere Grenztemperatur | 95 °C |
| Untere Grenztemperatur | - 40 °C |
| Zolltarifnummer | 85369010 |

Kabeldaten

| | |
|-------------|----|
| Zulassung 1 | UL |
|-------------|----|

Elektrische Kennwerte

| | |
|-------------------------|----------------------|
| Bemessungsstrom (40°C) | 3 A |
| Bemessungsspannung | 60 V |
| Bemessungs-Stoßspannung | 500 V |
| Verschmutzungsgrad | 1 |
| Überspannungskategorie | I |
| Isolierstoffgruppe | III |
| Durchgangswiderstand | ≤ 3 mΩ |
| Isolationswiderstand | ≥ 10 ¹⁰ Ω |
| EMV-Tauglichkeit | nicht schirmbar |
| Schutzart | IP67 |
| Mechanische Lebensdauer | > 500 Steckzyklen |

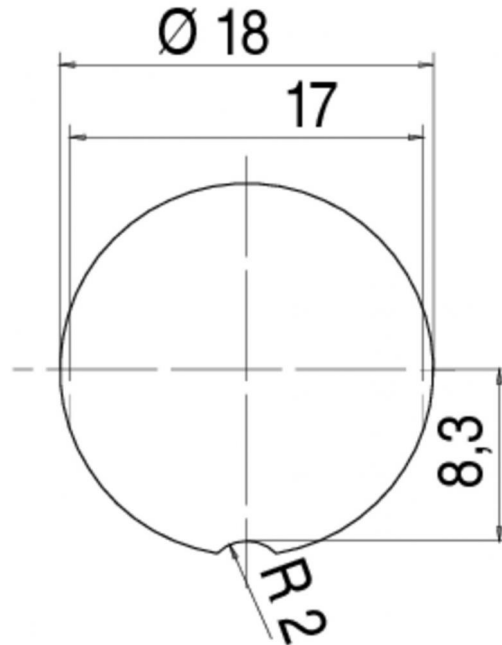
Werkstoffe

| | |
|------------------------|--------------------------|
| Material Kontakt | CuSn (Bronze) |
| Kontaktoberfläche | Au (Gold) |
| Material Kontaktkörper | PBT (UL 94 V-0) |
| Material Gehäuse | Zinkdruckguss vernickelt |

Bezeichnung M16 IP67 Flanschdose, Polzahl: 19, nicht schirmbar, tauchlöten, IP67, UL

Produktgruppe M16 IP67 Serie 723
Bestellnummer 09 0464 90 19

Montageanleitung / Montageausschnitt



| | |
|---------------|---|
| Bezeichnung | M16 IP67 Flanschdose, Polzahl: 19, nicht schirmbar, tauchlöten, IP67, UL |
| Produktgruppe | M16 IP67 Serie 723 |
| Bestellnummer | 09 0464 90 19 |

Sicherheitshinweise / Montagehinweise

Die Steckverbinder sind für Einsatzbereiche im Anlagen-, Steuerungs- und Elektrogerätebau entwickelt worden. Die Überprüfung, ob die Steckverbinder auch in anderen Einsatzgebieten verwendet werden können, obliegt dem Anwender.

Steckverbinder mit der Schutzart IP 67 und IP 68 sind nicht für die Verwendung unter Wasser geeignet. Beim Einsatz im Freien müssen die Steckverbinder gesondert gegen Korrosion geschützt werden. Weitere Infos zu den IP Schutzarten siehe im Bereich Downloadcenter „Technische Informationen“