

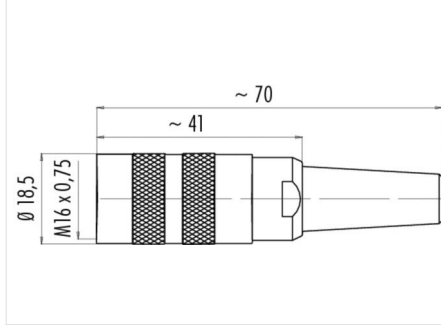
Product **Contacts: 5 Stereo, female cable connector with cable clamp, shieldable, cable outlet 6 - 8 mm, silver plated contacts**

Area **M16 IP40 Series 581**
 Article number **99 2018 20 05**

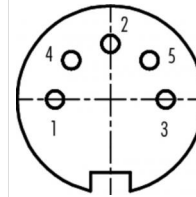
Illustration



Scale drawing

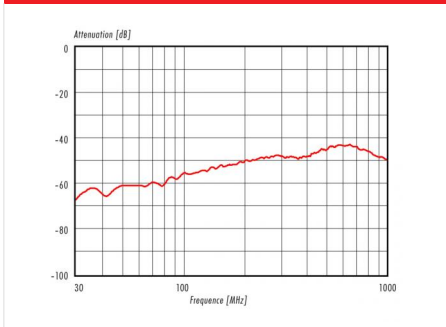


Contact Arrangement



	X	Y
1	-3,50	0,00
2	0,00	3,50
3	3,50	0,00
4	-2,47	2,47
5	2,47	2,47

Derating curve



You can find the item description on the next page.

Technical data

General features

Connector Design	female cable connector
Connector locking system	bolted
Termination	solder
Wire gauge (mm)	0,75 mm ²
Wire gauge (AWG)	20
Cable outlet	6,0 - 8,0 mm
Upper temperature	85 °C
Lower temperature	-40 °C

Electrical parameters

Rated current (40°C)	6 A
Rated voltage	60 V
Rated impulse voltage	500 V
Pollution degree	1
Overvoltage category	I
Material group	III
Volume resistivity	≤ 5 mΩ
Insulation resistance	≥ 10 ¹⁰ Ω
EMV compliance	shieldable
Degree of protection	IP40
Mechanical operation	> 500 Mating cycles

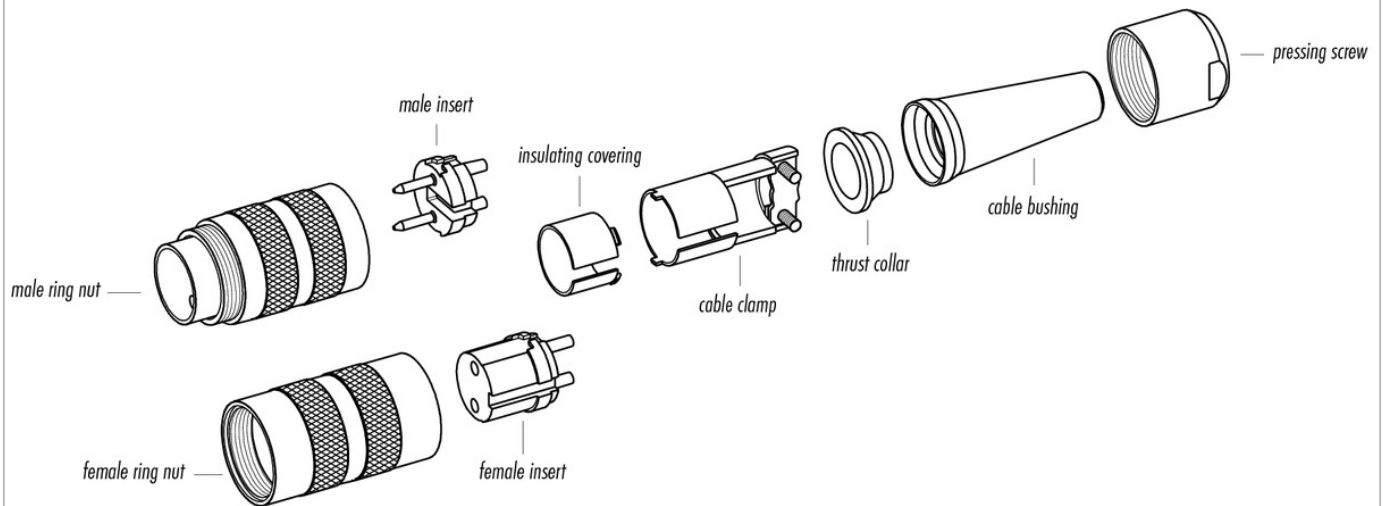
Material

Material of contact	CuSn (bronze)
Contact plating	Ag (silver)
Material of contact body	PBT (UL 94 V-0)

Product **Contacts: 5 Stereo, female cable connector with cable clamp, shieldable, cable outlet 6 - 8 mm, silver plated contacts**

Area **M16 IP40 Series 581**
Article number **99 2018 20 05**

Item description



Product	Contacts: 5 Stereo, female cable connector with cable clamp, shieldable, cable outlet 6 - 8 mm, silver plated contacts
Area	M16 IP40 Series 581
Article number	99 2018 20 05

Security notices

The connectors are designed for use in plant, control system and electrical equipment. The end user is responsible for checking whether the connectors are suitable for use in other applications.

To lock the cable connector to the equipment connector, the threaded ring is tightened until it is 'finger-tight' (approx. 50 cNm).