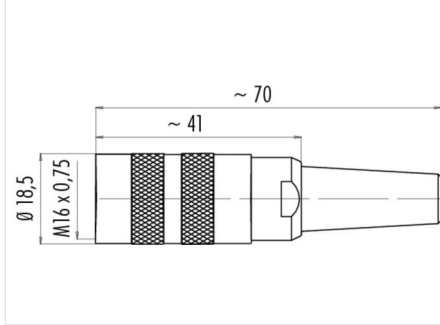


Product **Contacts: 12, female cable connector with cable clamp, shieldable, cable outlet 6 - 8 mm, gold plated contacts**
 Area **M16 IP40 Series 581**
 Article number **99 2030 20 12**

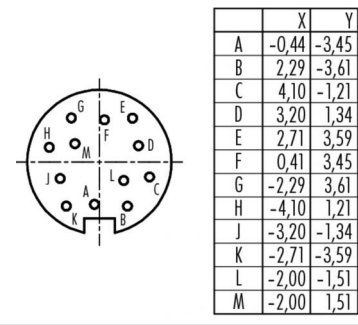
Illustration



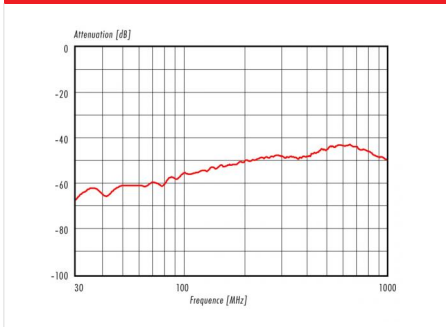
Scale drawing



Contact Arrangement



Derating curve



You can find the item description on the next page.

Technical data

General features

Connector Design female cable connector
 Connector locking system bolted
 Termination solder
 Wire gauge (mm) 0,25 mm²
 Wire gauge (AWG) 24
 Cable outlet 6,0 - 8,0 mm
 Upper temperature 85 °C
 Lower temperature -40 °C

Electrical parameters

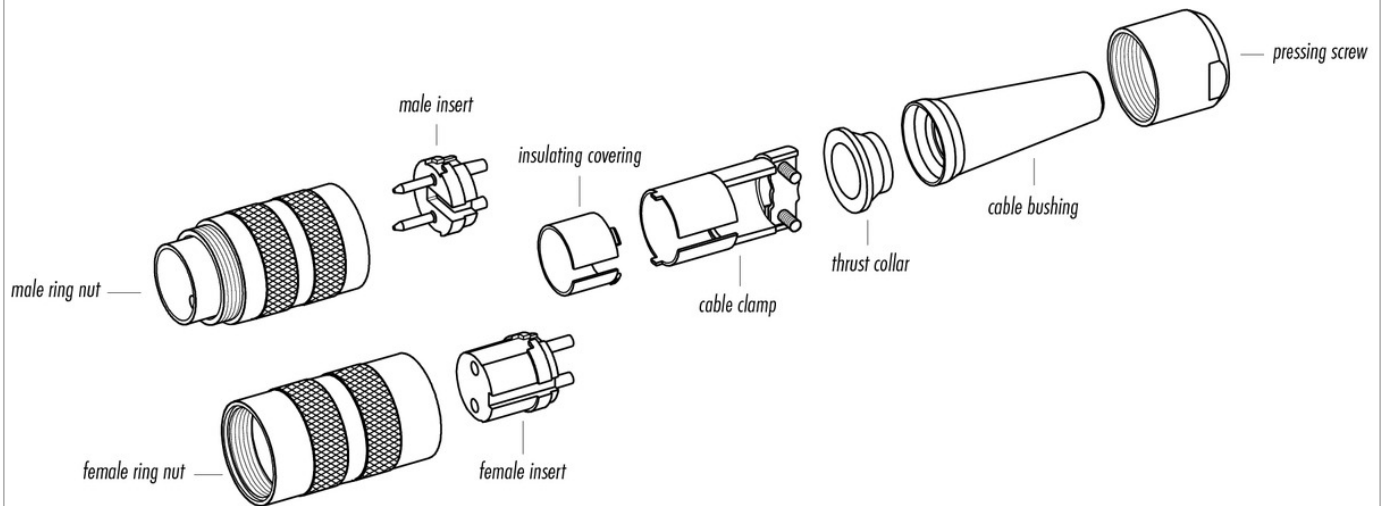
Rated current (40°C) 3 A
 Rated voltage 60 V
 Rated impulse voltage 500 V
 Pollution degree 1
 Overvoltage category I
 Material group III
 Volume resistivity ≤ 3 mΩ
 Insulation resistance ≥ 10¹⁰Ω
 EMV compliance shieldable
 Degree of protection IP40
 Mechanical operation > 500 Mating cycles

Material

Material of contact CuSn (bronze)
 Contact plating Au (gold)
 Material of contact body PBT (UL 94 V-0)

Product	Contacts: 12, female cable connector with cable clamp, shieldable, cable outlet 6 - 8 mm, gold plated contacts
Area	M16 IP40 Series 581
Article number	99 2030 20 12

Item description



Product	Contacts: 12, female cable connector with cable clamp, shieldable, cable outlet 6 - 8 mm, gold plated contacts
Area	M16 IP40 Series 581
Article number	99 2030 20 12

Security notices

The connectors are designed for use in plant, control system and electrical equipment. The end user is responsible for checking whether the connectors are suitable for use in other applications.

To lock the cable connector to the equipment connector, the threaded ring is tightened until it is 'finger-tight' (approx. 50 cNm).