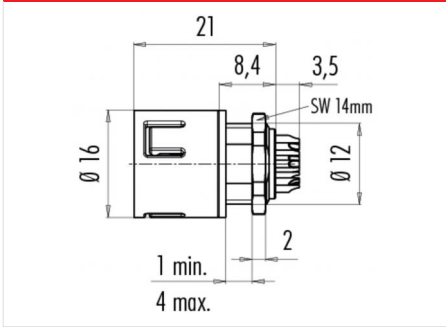


Product	<b>Contacts: 5, male panel mount connector, blue</b>
Area	<b>Snap-in IP67 Series 720</b>
Article number	<b>99 9115 60 05</b>

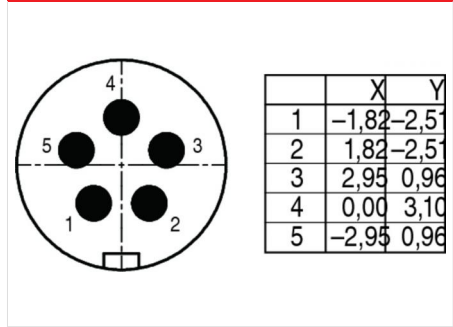
**Illustration**



**Scale drawing**



**Contact Arrangement**



You can find the item description and assembly instruction on the next page.

**Technical data**

**General features**

Connector Design	male panel mount connector
Connector locking system	snap
Termination	solder
Wire gauge (mm)	0,75 mm <sup>2</sup>
Wire gauge (AWG)	20
Upper temperature	85 °C
Lower temperature	-25 °C

**Cable data**

Approval 1	VDE
------------	-----

**Electrical parameters**

Rated current (40°C)	5 A
Rated voltage	125 V
Rated impulse voltage	1500 V
Pollution degree	2
Overvoltage category	II
Material group	II
Volume resistivity	≤ 3 mΩ
Insulation resistance	≥ 10 <sup>10</sup> Ω
EMV compliance	Shielding is not possible
Degree of protection	IP67
Mechanical operation	> 500 Mating cycles

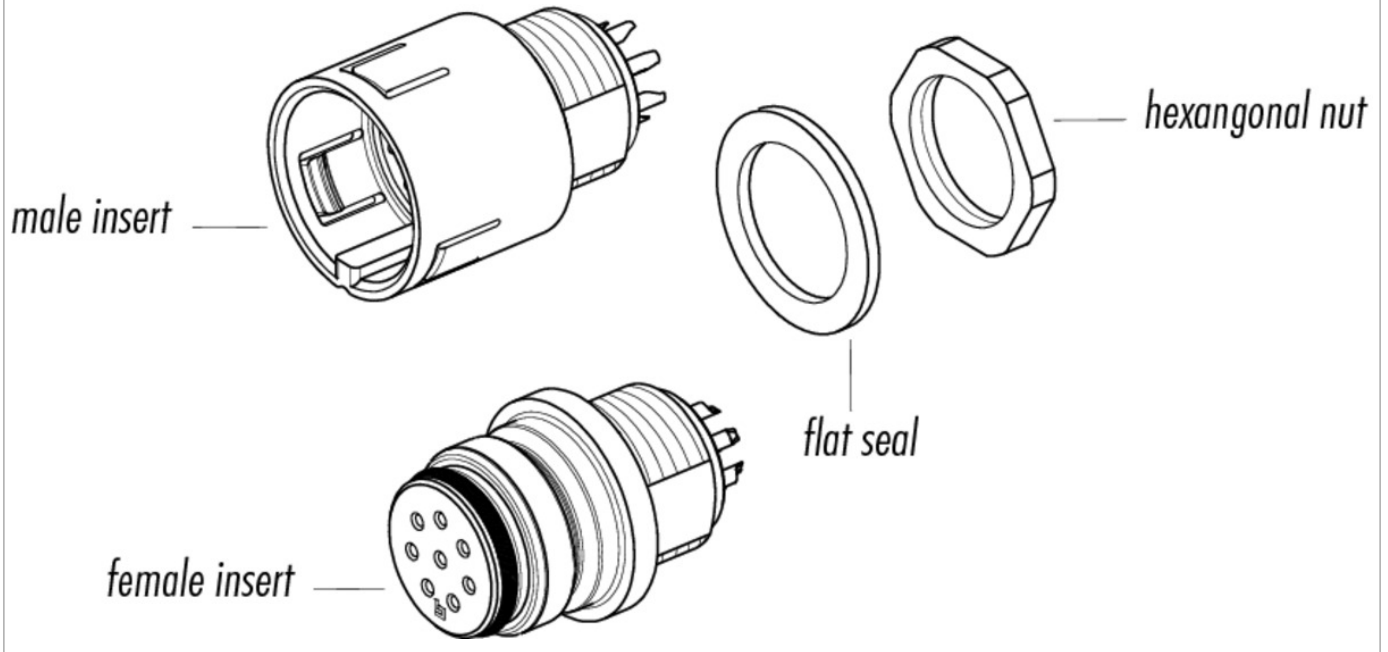
**Material**

Material of contact	CuZn (brass)
Contact plating	Au (gold)
Material of contact body	PA (UL 94 V-0)

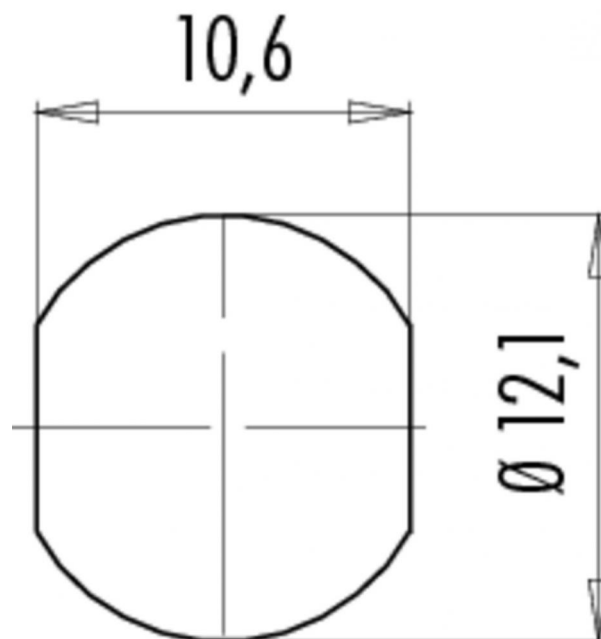
Product **Contacts: 5, male panel mount connector, blue**

Area **Snap-in IP67 Series 720**  
Article number **99 9115 60 05**

Item description



Installation instructions / Mounting cutout



Product **Contacts: 5, male panel mount connector, blue**

Area **Snap-in IP67 Series 720**  
Article number **99 9115 60 05**

## Security notices

The connector must not be connected or separated under load. Non-observance and incorrect use can result in personal injury.

The connectors are designed for use in plant, control system and electrical equipment. The end user is responsible for checking whether the connectors are suitable for use in other applications.

Connectors with degree of protection IP 67 and IP 68 are not suitable for use under water. When used outdoors, the connectors must be separately protected against corrosion. For further information about IP degrees of protection refer to 'Technical support' in the Download Centre.